

# BPS H-AT

## Horizontal Boxer Packaged Solution with Adapt Trend (AT) Control Installation Manual



### 1.0 SAFETY INFORMATION

- The provision of the electrical supply and the connection of the unit to the mains must be carried out by a qualified electrician.
- Isolate from power supply before removing any covers. During installation / maintenance ensure all covers are fitted before switching on the mains supply.
- All-pole disconnection from the mains as shown in the wiring diagram must be incorporated within the fixed wiring and shall have a minimum contact separation of 3mm in accordance with latest edition of the wiring regulations.
- This unit must be earthed.
- Ducting must be securely fixed with screws to the spigot to prevent access to live parts. Duct runs terminating close to the fan must be adequately protected by suitable guards.
- If the supply cord is damaged, it must be replaced by the manufacturer, its service agent or similarly qualified persons in order to avoid a hazard.
- Precautions must be taken to avoid the back-flow of gases into the room from the open flue of gas or other fuel-burning appliances.
- This appliance should not be used by children or persons with reduced physical, sensory or mental capabilities or lack of experience and knowledge, unless they have been given supervision or instruction concerning the safe use of the appliance by a person responsible for their safety. Children shall not play with the appliance. Cleaning and user maintenance shall not be carried out by children.

#### 1.1 Symbols



##### **GENERAL WARNING**

Signifies a general warning regarding hazard specified by supplementary information.



##### **ELECTRIC SHOCK**

This unit must be completely electrically isolated before any panels are removed. Check mains supply and control connections.



##### **ROTATING PARTS**

This unit contains fast moving rotational parts which may start automatically. It is the sole responsibility of the installer to adequately guard these components.



##### **REFER TO INSTRUCTION MANUAL**

Read and understand the installation and maintenance manual before installing, operating or maintaining this product.

### 1.2 Important Information

This manual contains important information on the safe and appropriate assembly, transport, commissioning, operation, maintenance, disassembly and simple troubleshooting of the product.

While the product has been manufactured according to the accepted rules of current technology, there is still a danger of personal injury or damage to equipment if the following general safety instructions and the warnings contained in these instructions are not complied with.

- **Read these instructions completely and thoroughly before working with the product.**
- **Keep these instructions in a location where they are accessible to all users at all times.**
- **Always include the operating instructions when you pass the product on to third parties.**

### 1.3 Personal Protective Equipment

The following minimum Personal Protective Equipment (PPE) is recommended when interacting with Nuaire products:

- **Protective Steel Toed Shoes** - when handling heavy objects.
- **Full Finger Gloves (Marigold PU800 or equivalent)** - when handling sheet metal components.
- **Semi Fingerless Gloves (Marigold PU3000 3DO or equivalent)** - when conducting light work on the unit requiring tactile dexterity.
- **Safety Glasses** - when conducting any cleaning/cutting operation or exchanging filters.
- **Reusable Half Mask Respirators** - when replacing filters which have been in contact with normal room or environmental air.

Nuaire would always recommend a site specific risk assessment by a competent person to determine if any additional PPE is required.

## 2.0 INTRODUCTION

The information contained in this document provides details of installation, operation and maintenance for installers and users of the BOXER PACKAGED SOLUTION (BPS) AHU units with heat recovery.

The BPS AHU range, is manufactured from Aluzinc corrosion resistant steel, with 50mm double skinned panels and anodized aluminium frame of a totally thermally-broken design, complying with the following specification in accordance with BS EN 1886: Mechanical strength, D1; Leakage class, L1; Thermal transmittance, T2; Thermal bridging, TB1.

This range includes high efficiency centrifugal fans with EC motors, a plate heat exchanger, G4 pre-filtration and F7 main filtration of the supply air and M5 filtration of the extract air.

Optional heating (LPHW, Electric or Reverse Cycle DX) and cooling (Chilled Water or Reverse Cycle DX) model variants are available. The Reverse Cycle coils are supplied as standard with inbuilt PAC Control and optional matched Mitsubishi Mr Slim Condenser(s). Note: control wiring and piping by others, thermistor wiring (included). Installation must be carried out by F-Gas approved installer.

Ancillaries include but not limited to attenuators, dampers, weather terminals and frost modules are available from Nuaire.

These units are supplemented with the Adapt Trend (AT) control platform. General information regarding performance and specification for the equipment is available via our technical literature, and/or project specific documentation.

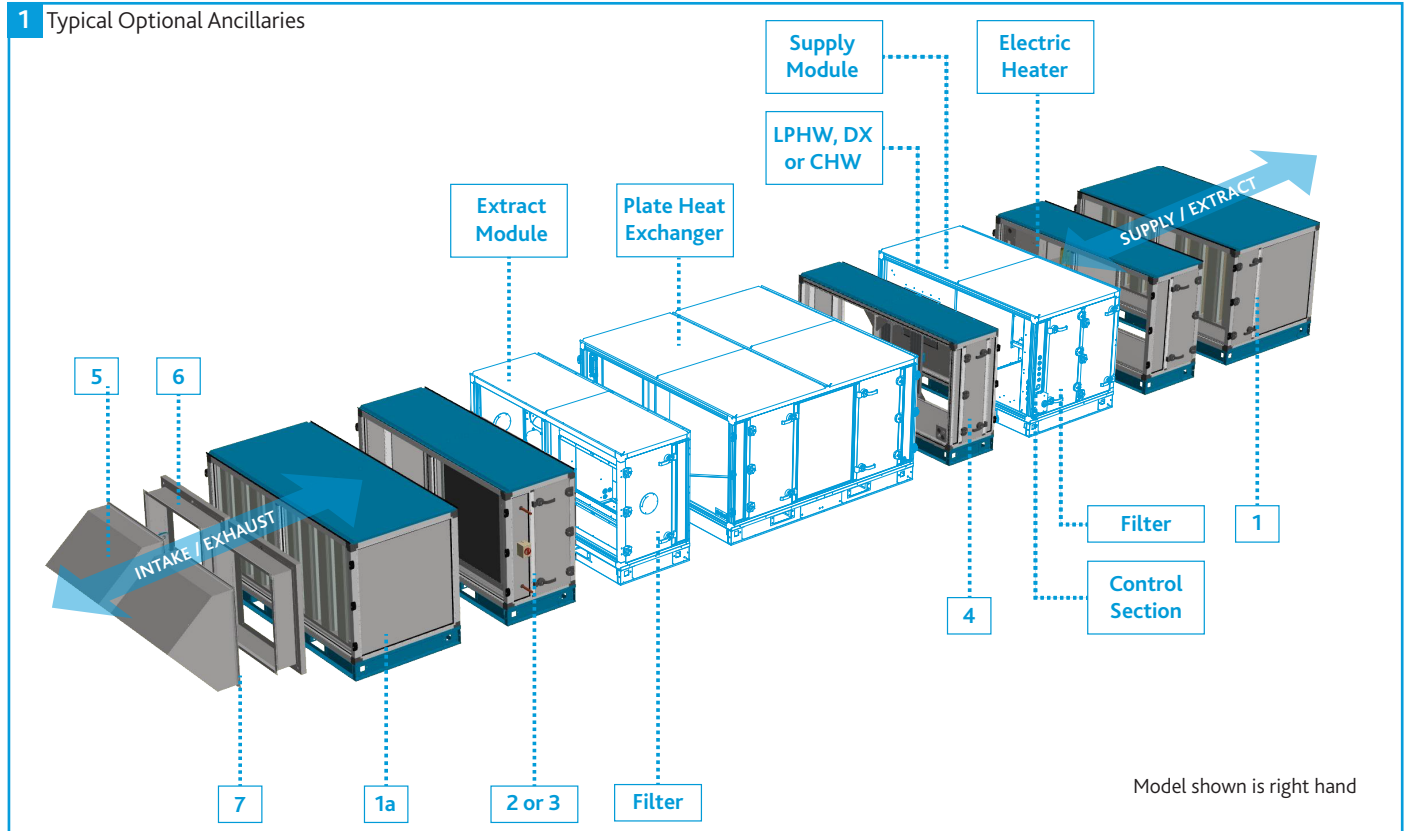
### 2.1 Code Description:

**B 8 15 H / L R / AT - L**  
 | | | | | | | |  
**1 2 3 4 5 6 7 8**

- |   |  |
|---|--|
| 1. Range:   | <b>B</b> = Boxer Packaged Solution   |
| 2. ErP Compliance Year:                               | <b>6</b> = 2016<br><b>8 or No Affix</b> = 2018   |
| 3. Unit Size:   | <b>05, 10, 15 or 20</b>  |
| 4. Heat Recovery Type:                                | <b>H</b> = Horizontal Plate Exchanger  |
| 5. Heating Type:                                      | <b>E</b> = Electric<br><b>L</b> = Low Pressure Hot Water (LPHW)<br><b>N</b> = No Heating   |
| 6. Cooling Type:                                      | <b>C</b> = Chilled Water (CW)<br><b>N</b> = No Cooling<br><b>R</b> = Reverse Cycle DX (matched condenser available)<br><b>X</b> = Reverse Cycle DX (condenser unit and controls by others) |
| 7. Control Type:                                      | <b>AT</b> = Adapt Trend  |
| 8. Access Handing<br>(in direction of supply airflow) | <b>L</b> = Left Hand<br><b>R</b> = Right Hand  |

### 3.0 OPTIONAL ANCILLARIES

#### 1 Typical Optional Ancillaries



#### Quick Selection Guide BPS BOXER PACKAGED AHU's - ANCILLARIES

BPS Unit Module	Part Number	Description
Attenuator 1	B**AH/AR900-R	BPS size **. Attenuator for Supply/Extract, Right Handed, for Horizontal PHX Units.
	B**AH/AR900-L	BPS size **. Attenuator for Supply/Extract, Left Handed, for Horizontal PHX Units.
Attenuator 1a	B**AH/AA900-R	BPS size **. Attenuator for Intake/Exhaust, Right Handed, for Horizontal PHX Units.
	B**AH/AA900-L	BPS size **. Attenuator for Intake/Exhaust, Right Handed, for Horizontal PHX Units.
Frost Coil - Electric 2	B**AH/FE-R	BPS size **. Frost Coil Electric, 36kW, Right Handed, for Horizontal PHX Units.
	B**AH/FE-L	BPS size **. Frost Coil Electric, 36kW, Left Handed, for Horizontal PHX Units.
Frost Coil - LPHW 3	B**AH/FL-R	BPS size **. Frost Coil LPHW, Right Handed, for Horizontal PHX Units.
	B**AH/FL-L	BPS size **. Frost Coil LPHW, Left Handed, for Horizontal PHX Units.
Recirculation Module 4	B**AH/RM-R	BPS size **. Recirculation Module, Right Handed, for Horizontal PHX Units.
	B**AH/RM-L	BPS size **. Recirculation Module, Left Handed, for Horizontal PHX Units.
Weather Terminal 5	B**AH/RT	BPS size **. Weather Terminal, for Horizontal PHX Units.
Inlet/Outlet Damper 6	B**AH/D	BPS size **. Inlet/Outlet Dampers suitable for right or left handed Horizontal PHX Units.
Weather Terminal & Inlet/Outlet Damper 7	B**AH/RTD-R	BPS size **. Weather Terminal & Damper, Right Handed, for Horizontal PHX Units.
	B**AH/RTD-L	BPS size **. Weather Terminal & Damper, Left Handed, for Horizontal PHX Units.

\*\* Insert relevant BPS unit size for the matching ancillary.

## 4.0 DELIVERY & RECEIPT OF EQUIPMENT

All equipment is inspected prior to despatch and leaves the factory in good condition. Upon receipt of the equipment an inspection should be made and any damage indicated on the delivery note.

Particulars of damage and/or incomplete delivery should be endorsed by the driver delivering the goods before offloading by the purchaser.

No responsibility will be accepted for damage sustained during the offloading from the vehicle or on the site thereafter.

All claims for damage and/or incomplete delivery must be reported to Nuairé within two days of receipt of the equipment.

### 4.1 Unit Offloading and Handling

The weight of unit modules and palletised items is displayed on the packaging. Some of the modules have an uneven weight distribution and this will be indicated by labelling where appropriate.

Offloading and positioning of the equipment is the responsibility of the purchaser, and should only be performed by competent personnel following an appropriate risk assessment.

**To ensure that the delivery vehicle is loaded according to the planned method of offloading, Nuairé must be notified to ensure coordination.** When offloading, care must be taken to ensure that the AHU is kept level at all times.

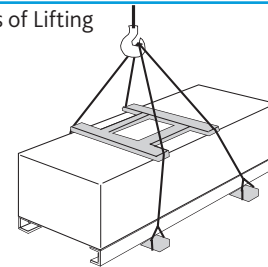
To ensure that no roof damage occurs additional timber packaging must be used.

### 4.2 Base Frame Lifting Points

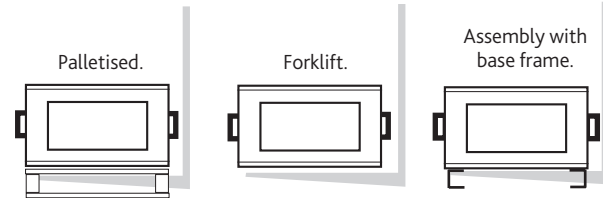
When units are constructed of multiple modules each module will have its own individual base frame, which is then connected to the next to assemble the full system. **Only individual modules should be lifted or manoeuvred. The units must not be lifted or manoeuvred pre-assembled.**

All base frame sections will have 50mm square lifting holes at the end of each side to enable lifting. In addition to this, covered fork lifting channels are located across the width of the base frame, if the module length is sufficient to allow this. For shorter modules the fork lifting points will be along the length of the section, without a covered channel (Figure 3).

## 2 Typical Methods of Lifting



Slings via spreaders fitted to unit with base frame.



### 4.3 Unit Packaging

Unless otherwise specified, unit sections will be delivered to site covered in “shrink wrap” polythene, which should provide a more than adequate level of protection against inclement weather.

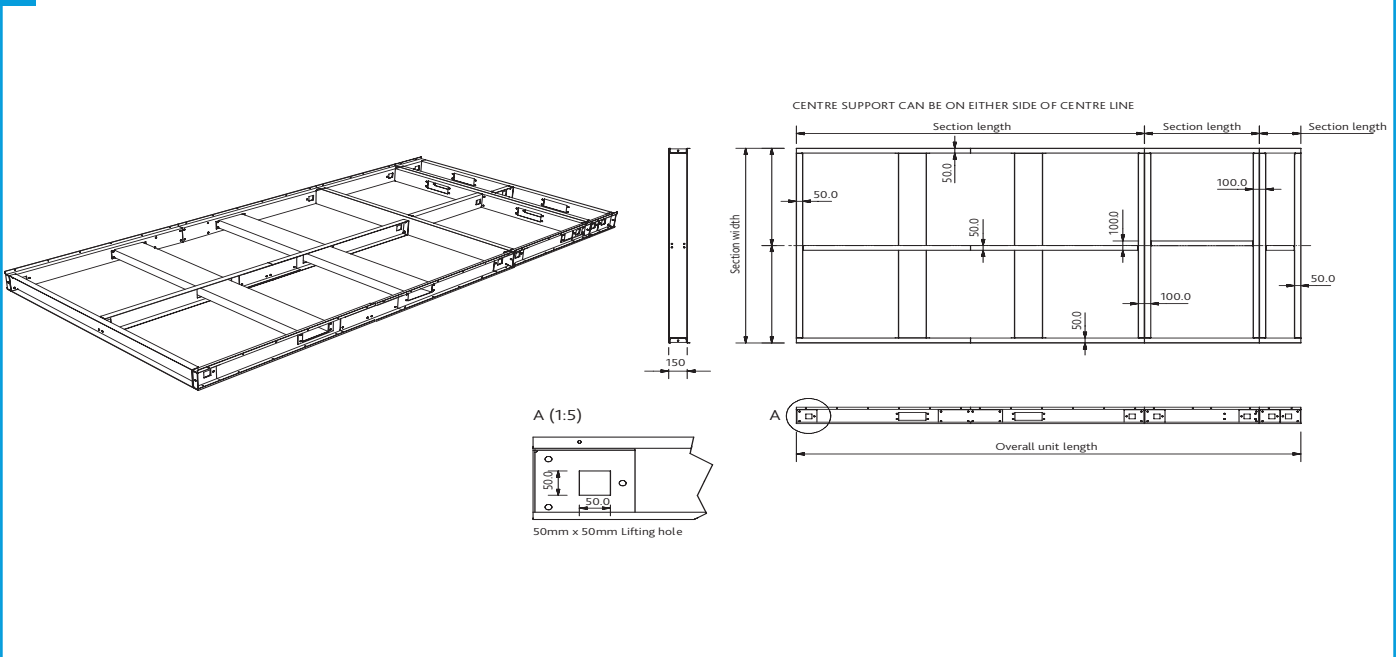
Should alternative methods of unit protection be required (i.e. timber, Corex, or flame retardant materials), Nuairé Limited should be notified of the specific requirements at the pre- contract stage. Waste must be disposed of by a registered waste carrier in accordance to national regulations.

### 4.4 Unit Storage

The equipment must be stored in a dry, internal location. Ductwork connection apertures should be sealed against the ingress of dust, water and vermin. Note that units that are intended for external locations are generally not fully weatherproofed until their installation, including ductwork connections, is complete.

If the storage period is to exceed two months, contact Nuairé for guidance on the appropriate ‘mothballing’ procedures. Do not stack units, modules or components.

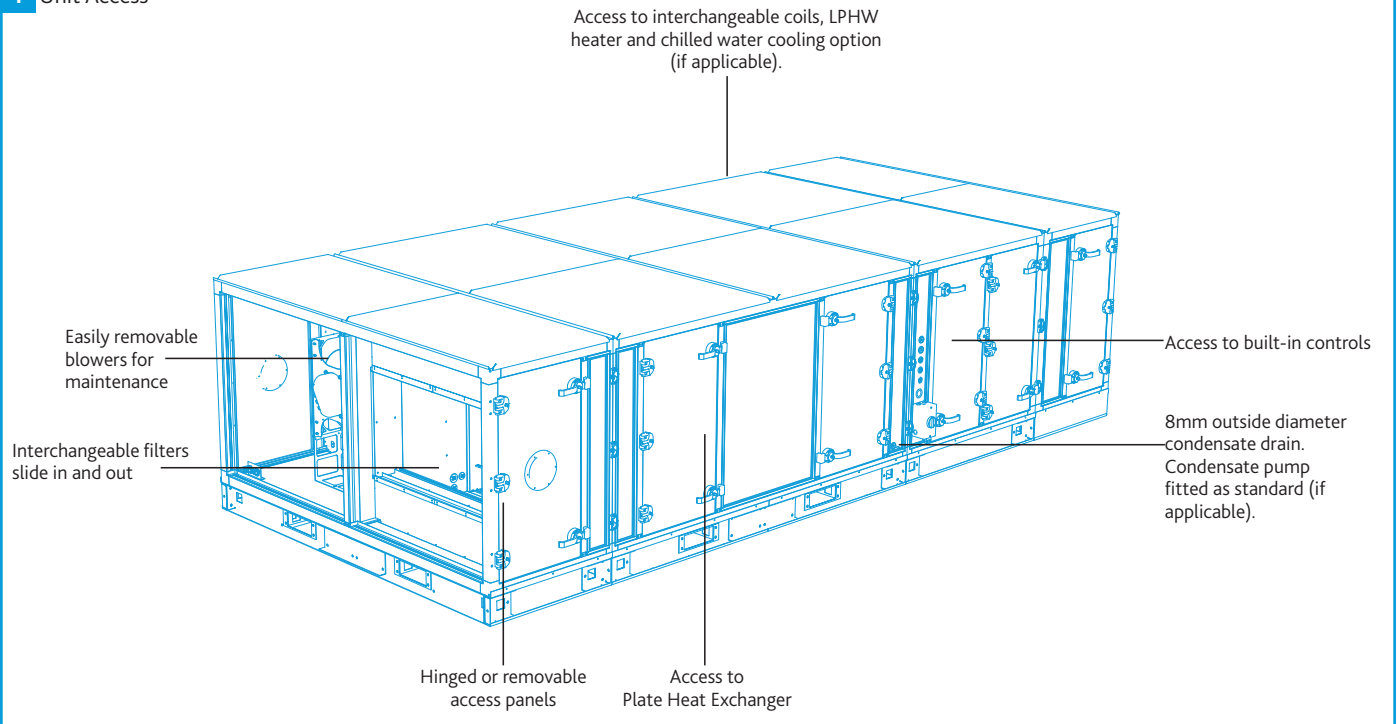
## 3 Base Frame Detail





## 5.0 UNIT ACCESS

### 4 Unit Access



In this product range, several unique concepts have been implemented with a view to simplifying the installation design.

- The unit must be installed with at least 600mm clearance from a wall/barrier. With this absolute minimum clearance, the unit may be connected to the power supply and control connection.
- With this clearance, unit filters may be changed, and the fans coils, heat exchanger and condensate tray may be inspected and cleaned if necessary.
- The LPHW and Electrical heater settings, coil bleed and drain, and all other control adjustments are similarly accessible.
- Side access, where possible, is preferred in all cases in terms of safe working access to the equipment under the CDM regulations.
- Note however, that access in the situation is difficult and additional time should be allocated. For convenience it is preferred that wherever possible, this minimum access provision is not adopted, and it is recommended that a minimum of around 600mm clearance (as stated in ADF 2010) is allowed.
- Where these arrangements are not suitable, the Consultant's and Contractor's project specific requirements will always be accommodated where possible.

### 5.1 Hinged / Removable Panel Access

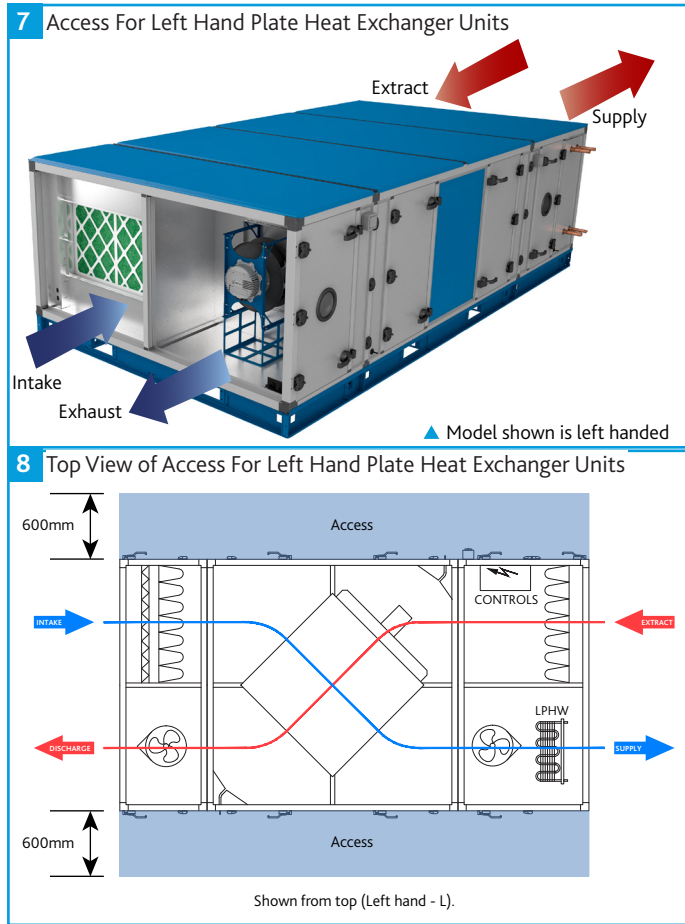
All hinged access panels will be lockable and removable via locked hinges which can be opened for panel removal. All keys are identical and will open any handle or hinge.

The hinges do not need to be unlocked in normal operation of opening and closing.

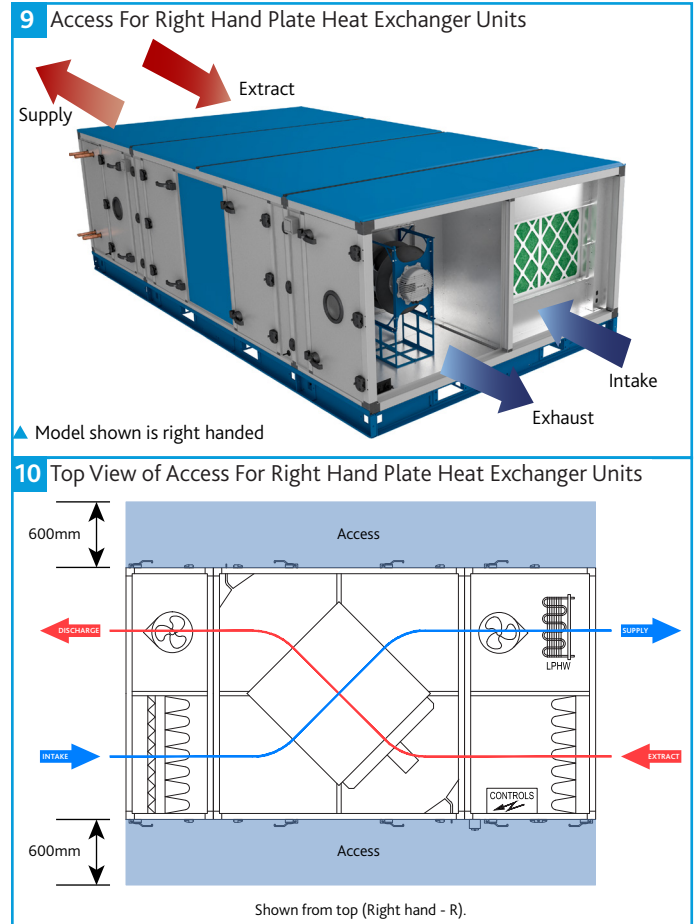


5.2 Access Areas

5.2.1 Left Hand Plate Heat Exchanger Units



5.2.2 Right Hand Plate Heat Exchanger Units



## 6.0 MECHANICAL INSTALLATION

Installation must be completed by competent persons, in accordance with good industry practice and should conform to all governing and statutory bodies i.e. IEE, CIBSE, etc.

The unit should stand upright and level on the floor, foundation or supporting steelwork which should be rigid, flat and level and should be capable of supporting the weight of the unit including water or refrigerant in the coils. Nuair takes no responsibility for the coordination of support.

### 6.1 Unit Location

To prevent possible reintroduction of contaminated air through the outside air intake, the unit should be located away from building flue stacks or exhaust ventilators.

Once assembled and in position, sufficient free space must be available adjacent to the unit for future inspection, maintenance, component service, repair and replacement and connection of services. It is recommended that at least the unit width (vertically arranged units) + 100mm be allowed. A minimum of 600mm is required for regular maintenance.

**Sufficient clearance for U-traps on condensate drain and overflow connections should also be considered by the purchaser.**

### 6.2 Air Leakage

Loading, transportation, off loading and site positioning can cause the air handling unit structures to move, therefore panel seals will not always remain fully intact.

It is inevitable that in such cases, re-sealing of the units panels and joints may have to be carried out on site for the air-handling units to achieve the required leakage classification. Door locking mechanisms may also have to be adjusted.

Nuair cannot be held responsible for the units failing a site leakage test if the above have not been carried out correctly.

### 6.3 Module Joints

After unwrapping, temporarily remove the rubber weatherproof cover strip and M10 base frame bolts from any modules and store in a safe location for later use.

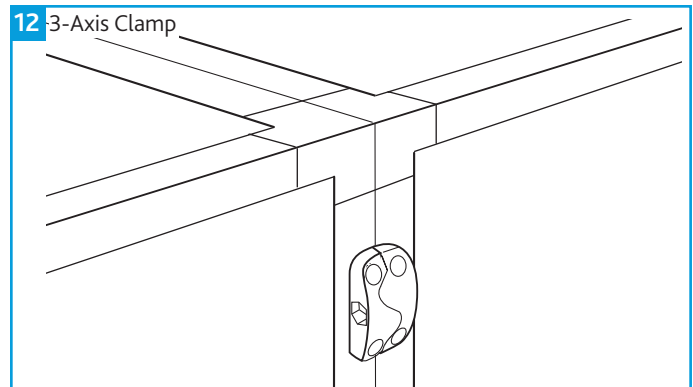
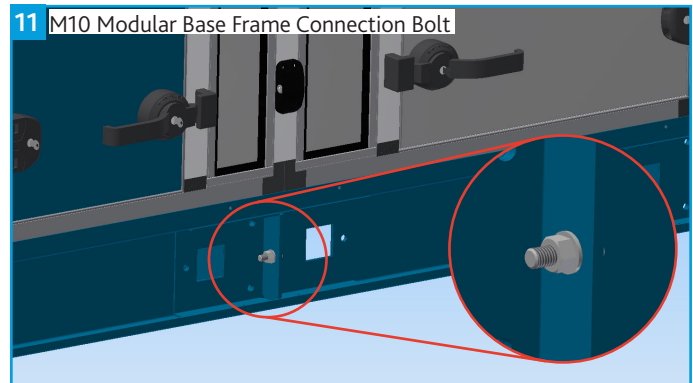
Apply the sealing gasket as necessary to the mating faces of the unit frames. Typically the sealing gaskets are pre-fitted to the heat exchanger module; ancillary modules will be provided with a roll of sealing gasket for on-site fitting.

Make the unit joints in the following order:

- Left and right hand side M10 bolts between the modules' base frames (Figure 11).
- Left and right hand side M6 Lower 3 axis alignment clamps (Figure 12).
- Left and right hand side M6 Middle 3 axis alignment clamps.
- Left and right hand side M6 Upper 3 axis alignment clamps.

Air leakage, air blow marks to the unit casings and unacceptable noise levels could result if the correct installation procedures are not employed.

**Prior to making the unit joints, you must ensure the base frames of adjoining modules are fully touching along the width of the unit. Failure to do so can result in deformation of the unit frame when using the three axis alignment clamps.**



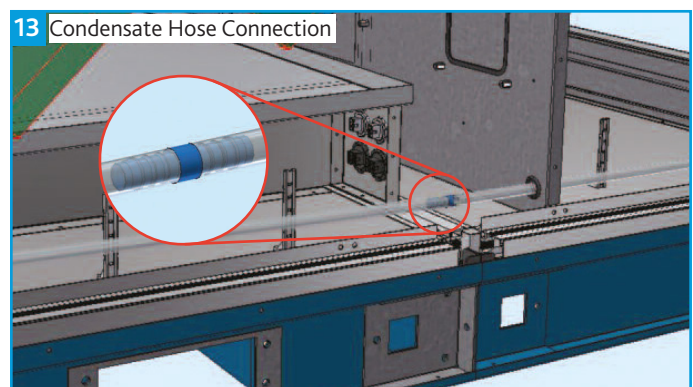
### 6.4 Internal Connections

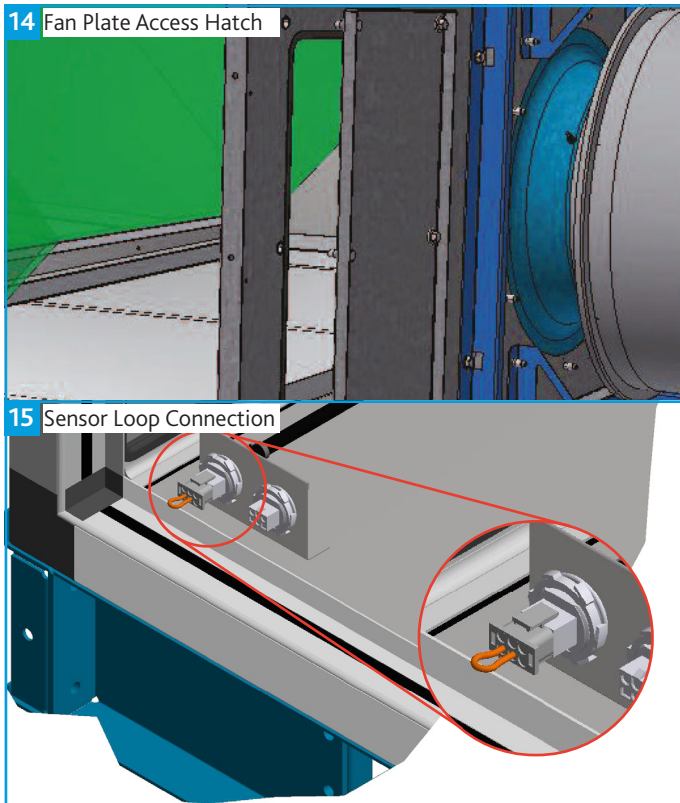
There are a number of internal connections that need to be completed prior to starting/commissioning the unit. These consist of all the wiring connections and the condensate hose (plate heat exchanger option only).

Please ensure that the condensate hose is connected between modules. Care must be taken to ensure a constant fall in gradient is maintained and the hose is kept taut (Figure 13).

Access is available in the fan plate to allow electrical/wiring connections to be made between modules (Figure 14).

When making the wiring connections, the sensor loop (Figure 15) must be removed and relocated to the end of the unit.





**6.5 Condensate Drain**

Plate heat exchanger components and modules that incorporate cooling coils may produce condensation during use. An insulated drip tray and condensate pump is provided where necessary. The drain connection must be connected to a suitable drainage point.

**Condensate pump specification:**

- Maximum flow rate = 50 L/H
- Maximum head = 20m Vertical, 100m Horizontal
- Pipe Connection size (Low Pressure Condensate connection) = 8 mm

**6.6 Thermal Wheel Drive / Belt Tension**

Thermal wheel modules can be delivered with transport packing blocks, ensure any transport blocks are removed prior to operation of the thermal wheel.

The thermal wheel belt is unhooked to prevent the thermal wheel belt from stretching during transportation.

The thermal wheel motor is attached via a hanging motor bracket. To install the belt lift the spring motor upwards, hook the belt onto the pulley and slowly release the motor.

**Ensure that the rotation sensor is aligned with the sensing studs, as this can become misaligned during transport/installation thus causing a fault signal.**

**6.7 Weather Resistant Units**

The units are supplied in multiple sections and have weather resistant roof components that must be fitted and sealed after the unit sections are bolted together. All necessary fixings are supplied with each unit and are normally bagged and located within the fan section. Suitable mastic sealant is to be provided by others.

Where the weatherproof roof assembly of two sections meet, the metal hinged weatherproof cover strip must be closed to seal the seam between unit sections and fixed with the bolts provided.

The equipment must not be exposed to the weather in an unassembled or partially assembled state. All roof terminal, ductwork, sealing and assembly work must be completed before the unit can be considered weather resistant.

**6.8 Unit Connections**

**6.8.1 Ducting**

Nuair do not provide ductwork connections with units, instead the open ended framework should be utilised. Flanged connections are available as an option, refer to technical documents for information relating specifically to the manufactured unit.

**6.8.2 Coil**

When connecting coils, special care is needed to allow for expansion and contractions. Prior to any equalising connection, ensure that the thermostatic expansion valve for the DX coil is securely fitted.

**Additional care must be taken when using R32 or other flammable refrigerants: your commissioned system must comply with the requirements of BS EN 378. Units must be fitted with gas detection systems (or deploy other suitable control method) to ensure that, in the event of a refrigerant leak, the Lower Flammability Limit is not exceeded.**

Each coil section should be trapped and special care should be taken to ensure that there are no vertical rising condense lines, unless pumped.

Wet pipe connections sizes are listed in the table below.

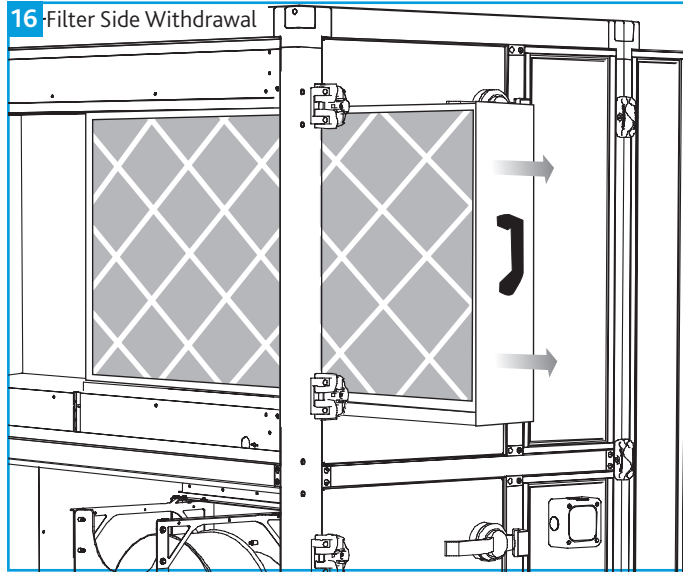
Care should be taken to ensure that all pipework is adequately supported, therefore ensuring that no additional weight is added to the unit. Extra precaution should be taken to prevent pipe damage on site, as the fragile pipework will protrude from the side of the unit.

**If a frost coil is not fitted then appropriate control methods must be taken to prevent the coils, filters and other equipment from freezing (by others).**

Unit Size	Frost Coil (LPHW)		Heating Coil (LPHW)		Cooling Coil (CHW)	
	Flow	Return	Flow	Return	Flow	Return
05	15 mm	15 mm	15 mm	15 mm	22 mm	22 mm
10	22 mm	22 mm	22 mm	22 mm	22 mm	22 mm
15	22 mm	22 mm	22 mm	22 mm	28 mm	28 mm
20	28 mm	28 mm	28 mm	28 mm	35 mm	35 mm



6.9 Filters



6.9.1 Filter Removal

Filters will be provided in banks on suitable slide rails, so that they can be withdrawn from the access side of the unit. Differential "Dirty Filter" pressure switches are fitted as standard.

6.9.2 Spare Filters

If specified with order, spare sets of filters will be provided and should be stored in a clean, dry environment. Should you require spare filter media, please contact Nuair.

6.10 Control Dampers

Care should be taken to ensure that all spring return actuators have stopped running and completed their stroke. If not, the connection needs to be loosened and the actuator should be left to drive until the motor stops running.

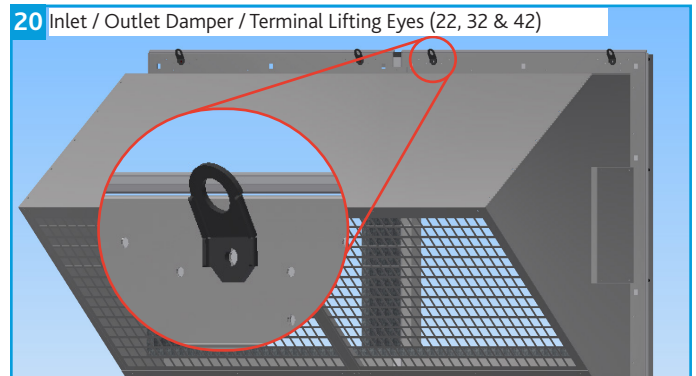
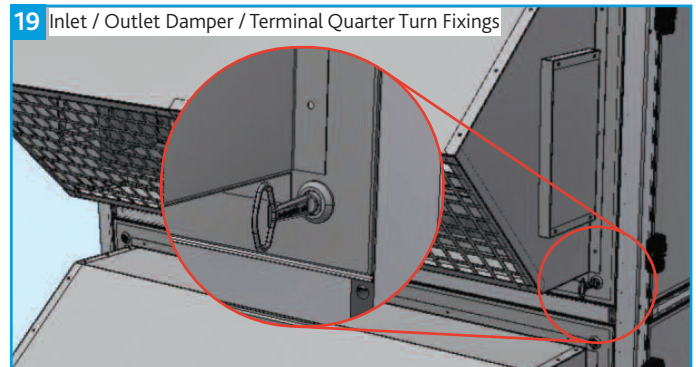
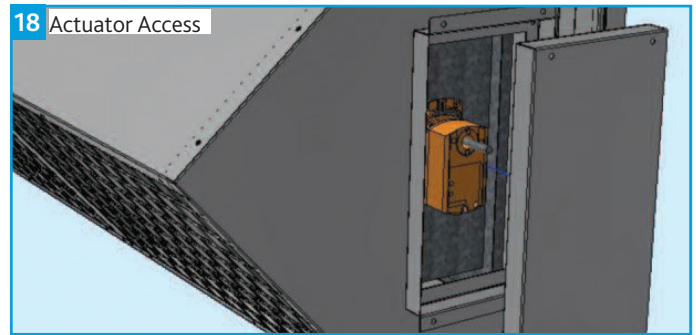
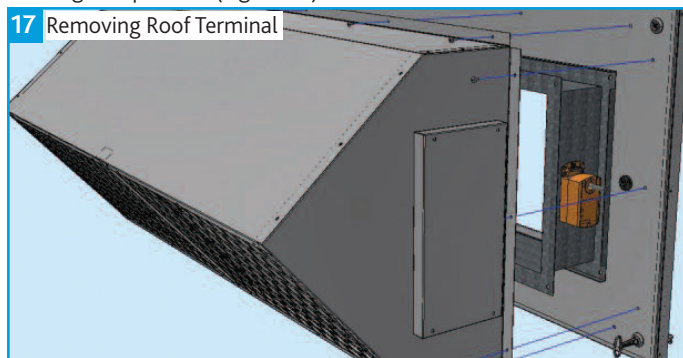
When the unit is powered, dampers should be checked to ensure that they operate freely and close tightly.

Where dampers are protected with a roof terminal, the roof terminal can be removed for access to the main damper. Access to the actuator can be from the side of the roof terminal without the requirement of removing the roof terminal (Figure 17).

6.11 Damper / Roof Terminal Assembly

The inlet/outlet dampers and roof terminals are pre-assembled (for BPS sizes 07, 12 and 17) on a double skinned and insulated panel. The panel is easily fitted to the unit with a series of quarter turns (provided with a locking key) (Figure 19).

For the larger size BPS units (22, 32 and 42) the pre-assembled dampers and terminals are provided with lifting eyes for on-site hoisting into position (Figure 20).



6.12 Supporting Ancillary Items

All ancillary items that are supplied without individual base frames require safe suitable support (supplied by others). This includes but is not limited to single attenuators, terminals and dampers etc.

6.13 Installation Inspection

- Thoroughly inspect the unit after installation is complete.
- The inside of the unit should be checked; any objects which may have been left should be cleared.
- Check fan impellers, scrolls and outlets.
- Remove any transit protection fittings that may be attached to the fan or motor base frame, and that all traps are primed.
- Close all access door seals for damage, and replace any panels that have been removed.

## 7.0 ELECTRICAL INSTALLATION

The electrical wiring must be carried out by competent persons, in accordance with good industry practice and should conform to all governing and statutory bodies i.e. IEE, CIBSE etc.

### 7.1 Main Unit Power Supply

The control is powered by a 400Vac 50Hz 3 phase & Neutral supply. This must be isolated local to the unit and fitted with appropriate over-current and fault protection.

### 7.2 Electric Heater Power Supply

For models with electric heating, the heating circuit is powered by 1 or 2 separate, higher current, 400Vac 50Hz 3 phase & Neutral supplies. This must be isolated to the unit and fitted with appropriate over-current protection. The main supply is still required. Electric heater elements are protected by a fail-safe over-temperature switch which will disconnect the heater supply if a temperature of 80°C is reached. Once the elements cool, the switch will reset but a power cycle is required to reset the heater supply contactor.

### 7.3 Unit Power Supply Details - FLC

Unit Size	Unit (FLC)	Unit with Electric Heater (Electric Heater Models Only)	Unit with Condenser(s) (Condenser(s) Models only)	Units with both Condenser and Electric Heater
B*05H/**AT	4.2 A	4.2 A + 18 A †	8.7 A	8.7 A + 18 A †
B*10H/**AT	13 A	13 A + 27 A †	17.5 A	17.5 A + 27 A †
B*15H/**AT	6.8 A	6.8 A + 35 A †	13.9 A	13.9 A + 35 A †
B*20H/**AT	12.8 A	12.8 A + 53 A †	17.3 A	17.3 A + 53 A †
B820H/**AT	9.6 A	9.6 A + 53 A †	14.1 A	14.5 A + 53 A †

\* Denotes any Character.

† These heater models require a separate power supply for the electric heater section, with an appropriate over-current protection device.

### 7.4 Condenser Power Supply Details - FLC

Unit Size	Condenser Units Required	Maximum Current	Power Supply	Mitsubishi Part Number
05	BPS-CU-MIT-14 x1	13A	3phase, 50Hz, 400V	PUHZ-P140YHAR2
10	BPS-CU-MIT-14 x1	13A	3phase, 50Hz, 400V	PUHZ-P140YHAR2
15	BPS-CU-MIT-20 x1	19A	3phase, 50Hz, 400V	PUHZ-P200YKAR1
20	BPS-CU-MIT-25 x1	21A	3phase, 50Hz, 400V	PUHZ-P250YKAR1

See condenser manual for more information.

### 7.5 Wiring

All inter-connections between circuit boards, blowers and sensors are made at the factory. This diagram only shows the essential field wiring points for clarity.

Remove link wire if switched live signal, an enabler or BMS signal is connected.

**If inlet and outlet dampers are fitted, remove the damper link wires. This will allow a 1 minute delay before starting the fans.**

### 7.6 Emergency Shut Down Circuit

Emergency Shutdown Circuit. Break to Remove power. Remove Jumper bar between T6 & T7 to use.

#### 7.6.1 Switch Live

Switch Live (SL) terminal - A signal of 100-230V a.c. will activate the switch live signal.

Switch Live 2 (SL2) terminal - A signal of 100-230V a.c. will activate the switch live 2 (Fan Boost) signal.

**A signal from an isolating transformer will produce an unpredictable result and is not recommended.**

Extra low voltage versions of the switched live signals are also available. Link two contacts to activate the signal.



7.6.2 Volt Free Contacts

The volt free contacts are not fused. If these are used to power any external equipment, the installer must provide adequate fusing or other protections.

Trend 8D) relays are rated at 5A 240Vac resistive. DIN mounted TE relays are rated at 8A 240Vac resistive.

- Fault** - The relay is unpowered when a fault is present.
- Heat Demand** - The relay is powered when heating is selected.
- Cool Demand** - The relay is powered when cooling is selected.

7.6.3 Network Settings

**IP address:** 192.168.11.12  
**Subnet mask:** 255.255.255.0  
**LAN 011,node 012**

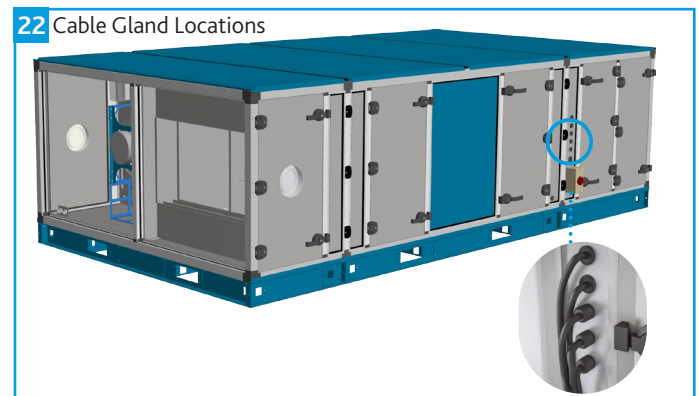
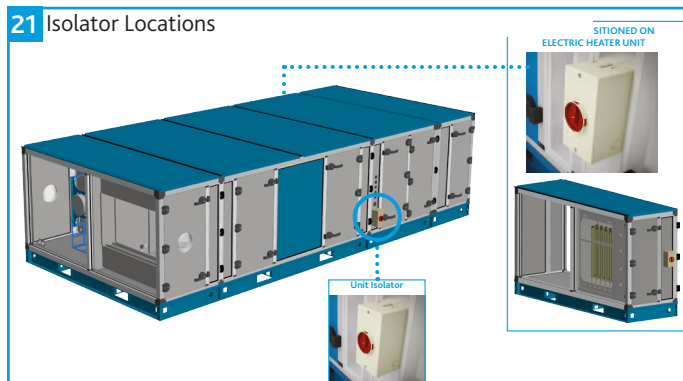
7.7 Connection Chart

Description	iQ4E Terminal No.	8DO Terminal No.	Di	AI	DO	AO
Fresh Air Sensor	1 (4,5)			1		
Supply Air Sensor	2 (6,7)			1		
Return/Room Air Sensor	3 (8,9)			1		
Input 4	4 (10,11)			1		
Input 5	5 (12,13)			1		
Pressure Sensor	6 (14,15)			1		
Alarm Circuit 1 (Fan, Heater)	7 (16,17)		1			
Alarm Circuit 2 (Pump, Filter, Thermal Wheel, IO Damper Shut)	8 (18,19)		1			
Volt-Free Enable Input Signal	9 (20,21)		1			
Volt-Free Boost Input Signal	10 (22,23)		1			
Extract Fan 0-10V	11(24,25)					1
Supply Fan 0-10V	12 (26,27)					1
Heat Demand 0-10V	13 (28,29)					1
Cool & RC Demand 0-10V	14 (30,31)					1
HX Bypass Relay		1			1	
Fault Relay		2			1	
Fan Run Relay		3			1	
Heat Demand Relay		4			1	
Cool & RC Demand		5			1	
Recirculation Damper Relay		6			1	
Inlet Output Damper Relay		7			1	
Spare Relay		8			1	

7.8 Isolator Wiring Points

Main wiring points for the customer is to the isolators situated on the sides of the units as shown below.

Cable glands are for additional ancillary cabling and are located on the sides of the units.



## 7.9 Terminal Wire Connections

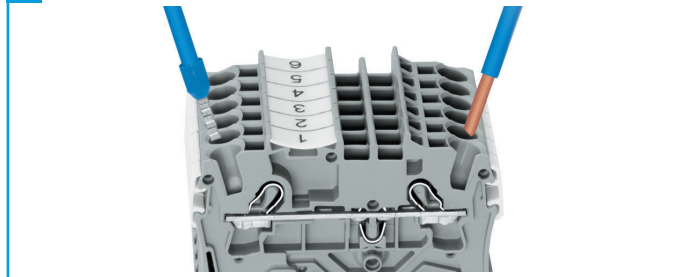
### 7.9.1 Push In Termination

Stripped solid conductors, fine-stranded conductors with ferrules, or ultrasonically “bonded” conductors are simply pushed in until they hit the backstop. No tools are required.

### 7.9.2 Termination Of Fine Stranded Conductors

Open the clamp by inserting an operating tool (as shown below) until it clicks into position. Then insert the conductor and remove the operating tool to complete the connection.

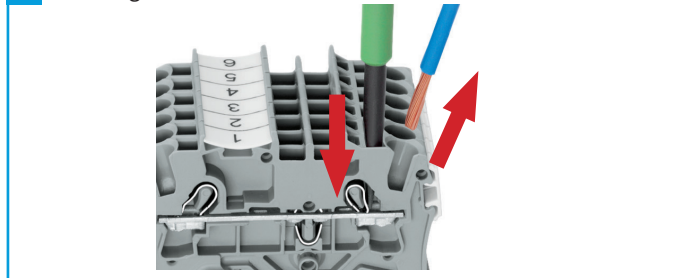
#### 23 Wiring a Conductor to a Terminal



### 7.9.3 Conductor Removal

Insert an operating tool in to the operating slot to remove the conductor, just like the original CAGE CLAMP® terminals blocks.

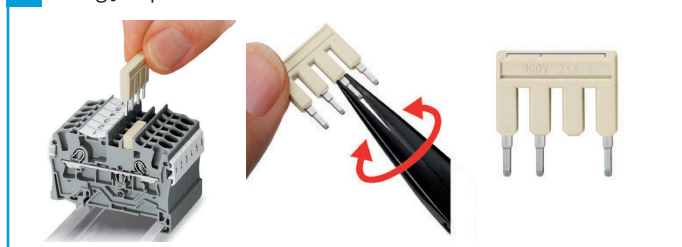
#### 24 Removing a Conductor from a Terminal



### 7.9.4 Jumpers

Terminal blocks can be commoned together to increase the number of terminals at the same potential using push-in jumpers. In these cases the terminals are treated as one conductor.

#### 25 Fitting Jumpers



### 7.9.5 Jumper Removal

Insert the operating tool blade between the jumper and the partition wall of the dual jumper slots, then lift up the jumper.

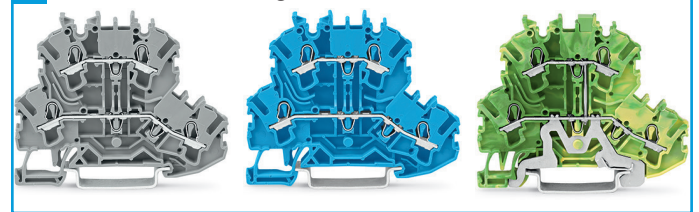
#### 26 Removing a Jumper



### 7.9.6 Double Deck Termination Block

Each deck has a different potential (2-conductor), which creates a space saving on the rail. Decks can be commoned to adjacent terminal blocks and / or the top to the bottom deck.

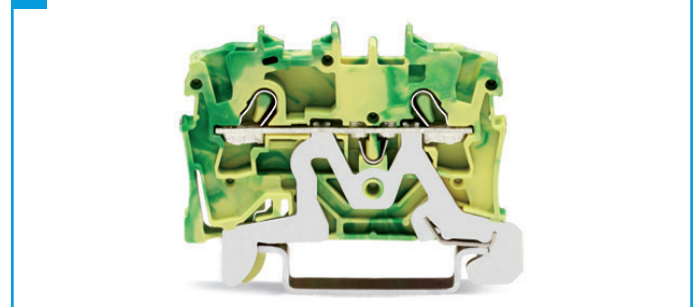
#### 27 Double Deck Conducting Paths



### 7.9.7 Earth Terminals

The earth terminal block (green/yellow) has a direct electrical connection to the DIN rail, with the earthing foot (earth connection only).

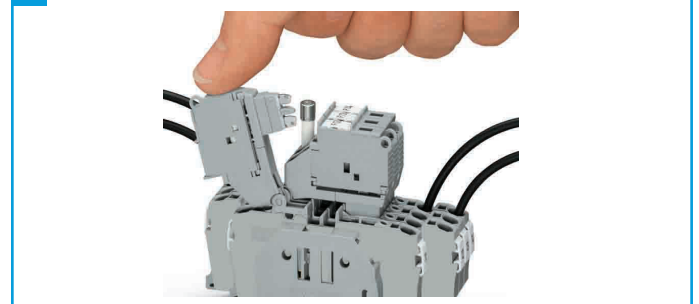
#### 28 Earth Terminal Block



### 7.9.8 Fuse Terminals

Replaceable cartridge fuses are housed in quick release fuse terminals.

#### 29 Fuse Terminal Block



7.10 Wiring Diagrams

A series of basic connection wiring diagrams have been provided to assist on-site wiring. In order to reference the relevant diagrams please use the code breakdown opposite to determine:

- Unit size
- If an electric heater is present
- If Reverse Cycle DX heating or cooling is present.

The below tables can then be used to reference the required connection and wiring diagrams.

Example:

Unit onsite has code **B815H/ER/AT-L**. This indicates a size 15 unit with electric heating and Reverse Cycle DX cooling. Section 7.10.6 includes the unit wiring diagram.

7.10.1 Code Description:



1. Range: B = Boxer Packaged Solution
2. ErP Compliance Year: 6 = 2016  
8 or No Affix = 2018
3. Unit Size: 05, 10, 15 or 20
4. Heat Recovery Type: H = Horizontal Plate Exchanger

5. Heating Type: E = Electric  
L = Low Pressure Hot Water (LPHW)  
N = No Heating
6. Cooling Type: C = Chilled Water (CW)  
N = No Cooling  
R = Reverse Cycle DX  
X = DX\*
7. Control Type: AT = Adapt Trend
8. Access Handing (in direction of supply airflow) L = Left Hand  
R = Right Hand

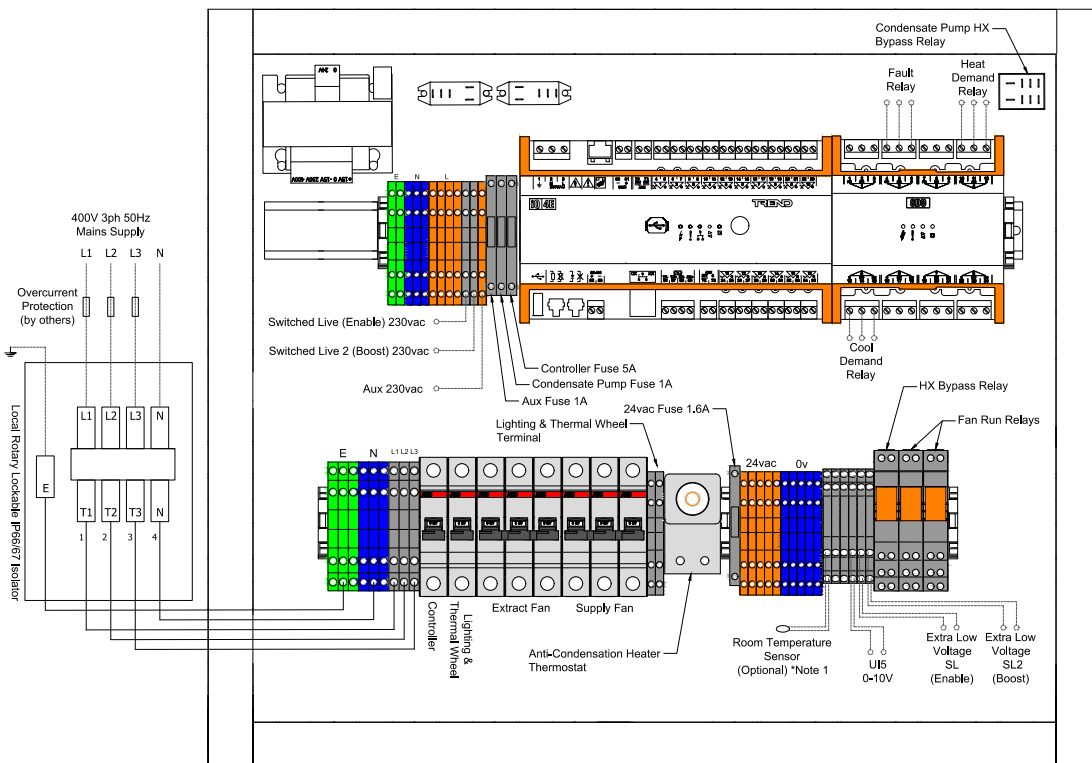
\*Condenser Unit and control by others.

7.10.2 Wiring Diagram Reference Table

Unit Size	Unit WITHOUT Electric Heater or Reverse cycle DX	Unit with Electric Heater	Unit with Reverse Cycle DX	Unit with Electric Heater & Reverse Cycle DX
05	Section 7.10.3	Section 7.10.4	Section 7.10.5	Section 7.10.7
10	Section 7.10.3	Section 7.10.4	Section 7.10.5	Section 7.10.7
15	Section 7.10.3	Section 7.10.4	Section 7.10.6	Section 7.10.8
20	Section 7.10.3	Section 7.10.4	Section 7.10.6	Section 7.10.8

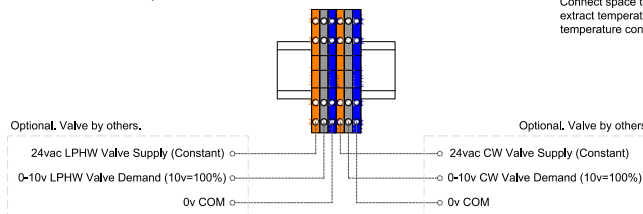
7.10.3 Unit Sizes 05 - 20 with No or LPHW Heating & No or CHW Cooling

30 Unit Sizes 05 - 20 with No or LPHW Heating & No or CHW Cooling Wiring Diagram



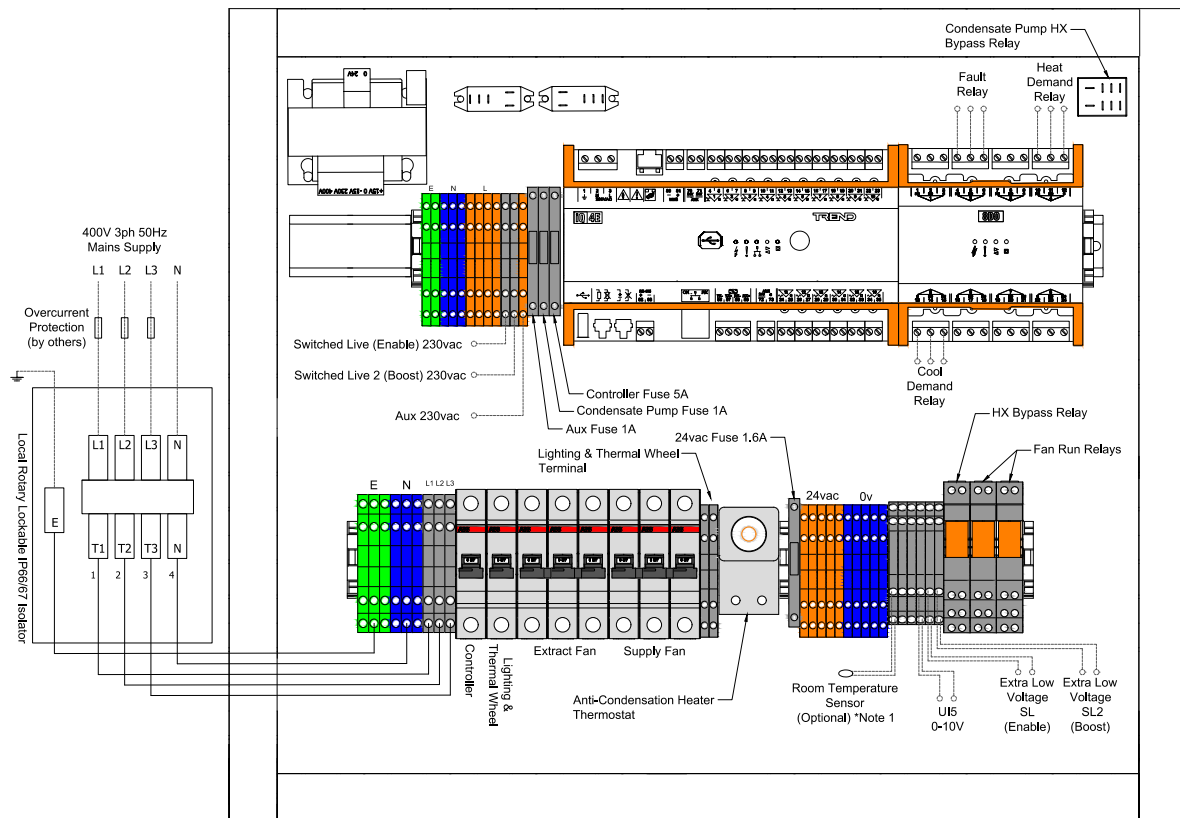
Internal interconnections are not shown for clarity.

\* Note 1  
Connect space temperature sensor in place of extract temperature sensor for space temperature control.



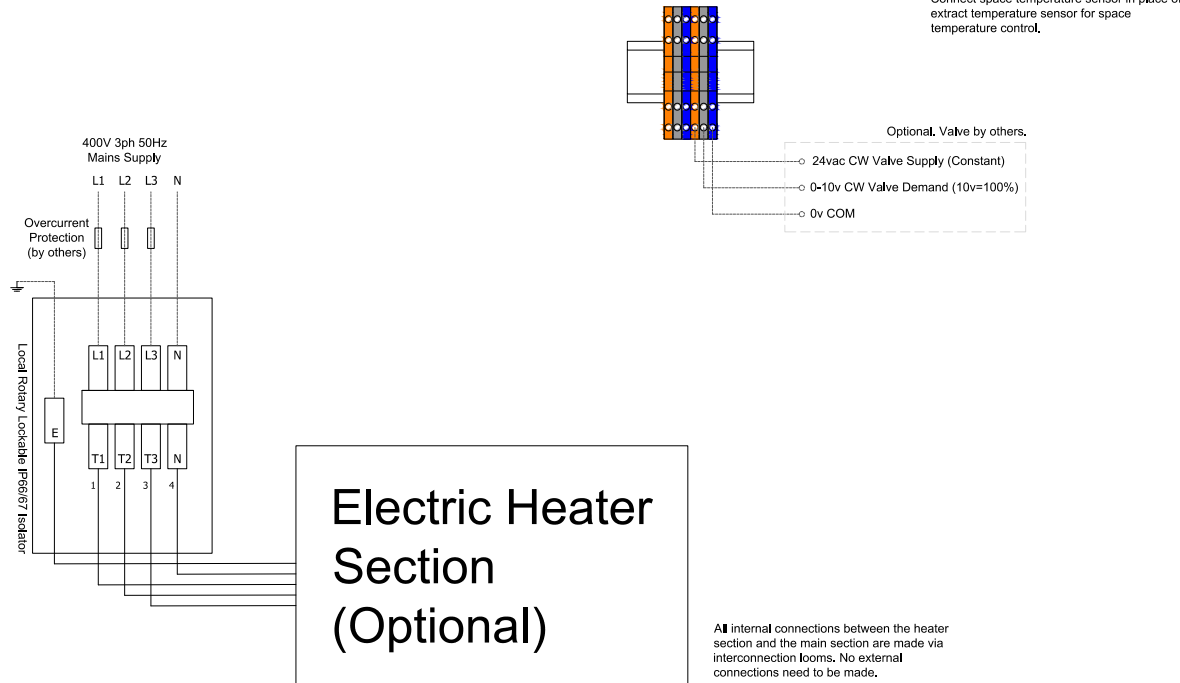
7.10.4 Unit Sizes 05 - 20 with Electric Heating & No or CHW Cooling

31 Unit Sizes 07 - 22 with Electric Heating & No or CHW Cooling Wiring Diagram



Internal interconnections are not shown for clarity.

\* Note 1  
Connect space temperature sensor in place of extract temperature sensor for space temperature control.

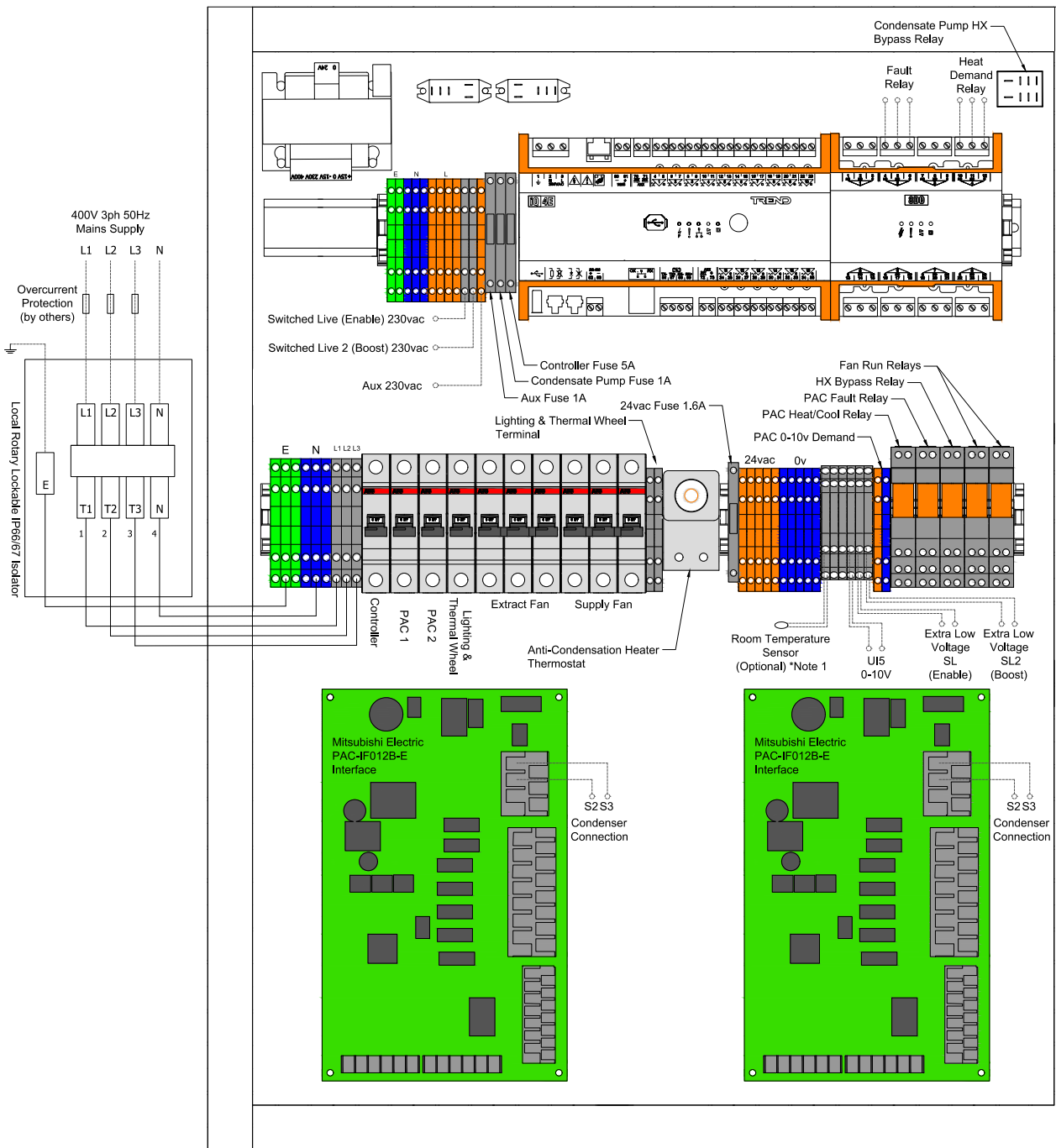


Electric Heater Section (Optional)

All internal connections between the heater section and the main section are made via interconnection looms. No external connections need to be made.

7.10.5 Unit Sizes 05 - 10 with No or LPHW Heating & Reverse Cycle DX

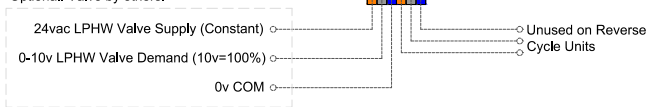
32 Unit Sizes 07 - 12 with No or LPHW Heating & Reverse Cycle DX



Internal interconnections are not shown for clarity.

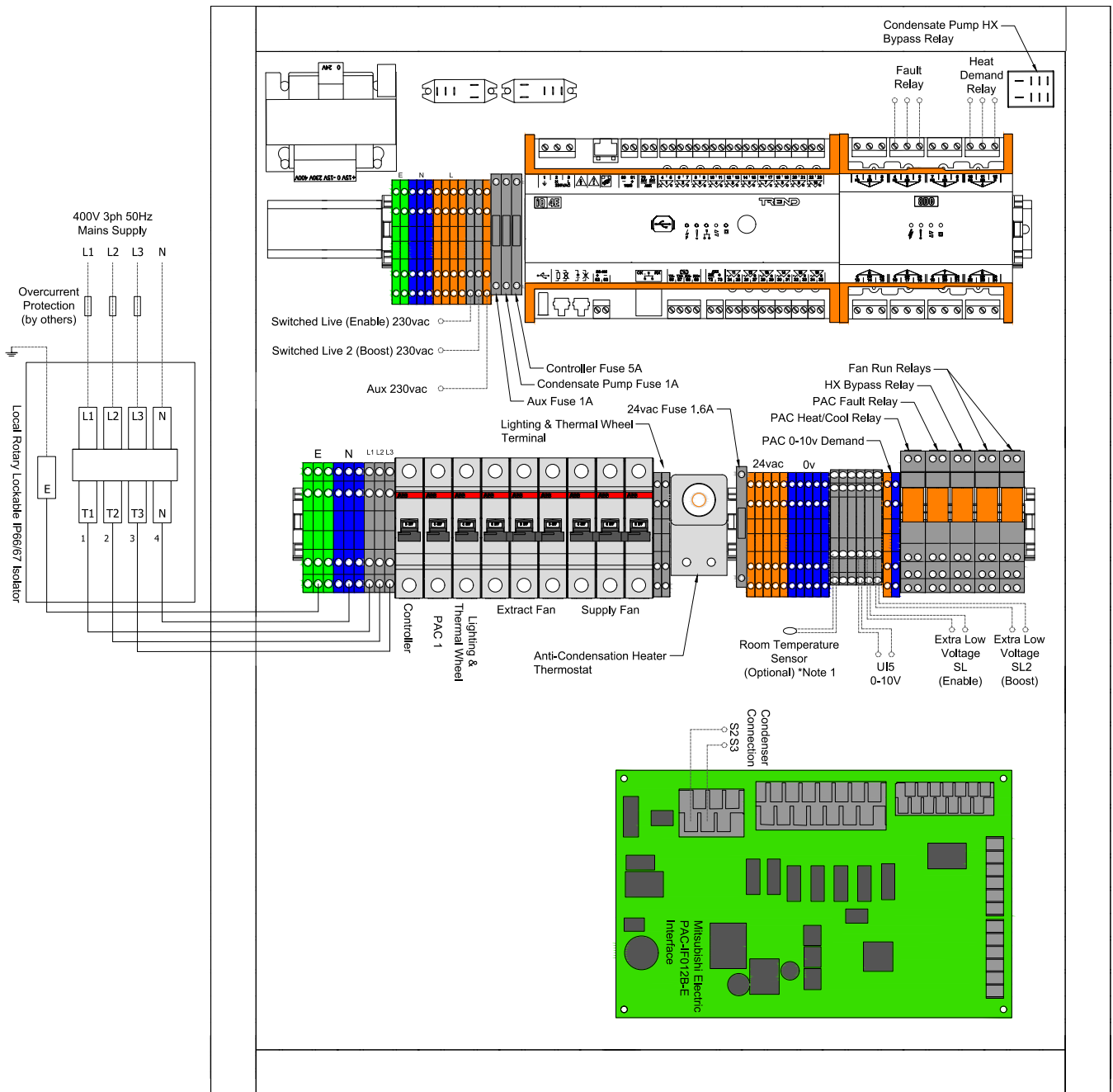
\* Note 1  
Connect space temperature sensor in place of extract temperature sensor for space temperature control.

Optional. Valve by others.



7.10.6 Unit Sizes 15 - 20 with No or LPHW Heating & Reverse Cycle DX

33 Unit Sizes 15 - 20 with No or LPHW Heating & Reverse Cycle DX



Internal interconnections are not shown for clarity.

\* Note 1  
Connect space temperature sensor in place of extract temperature sensor for space temperature control.

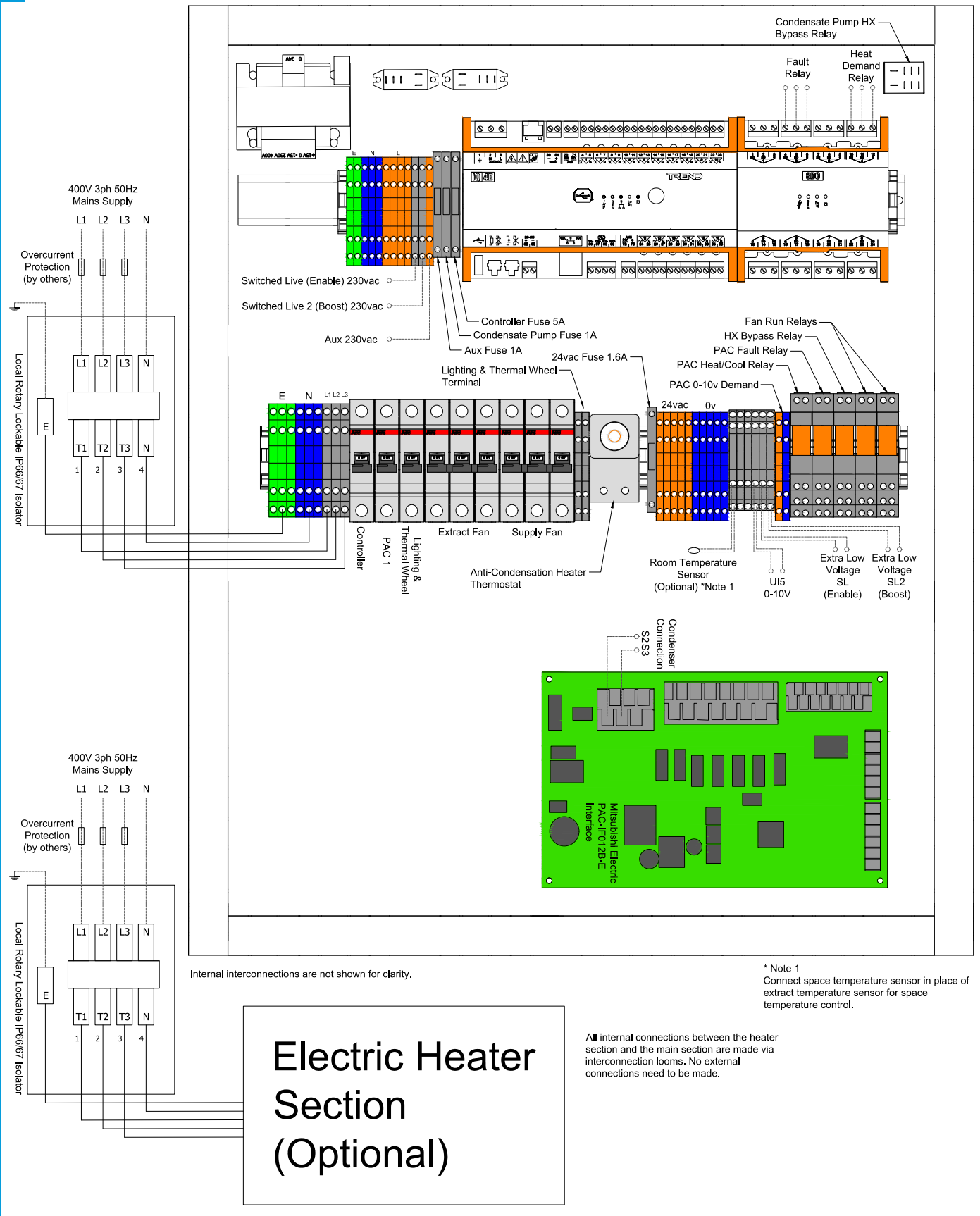
Optional. Valve by others.





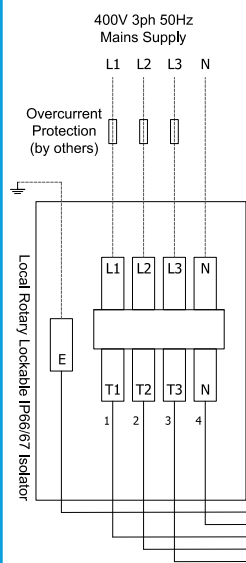
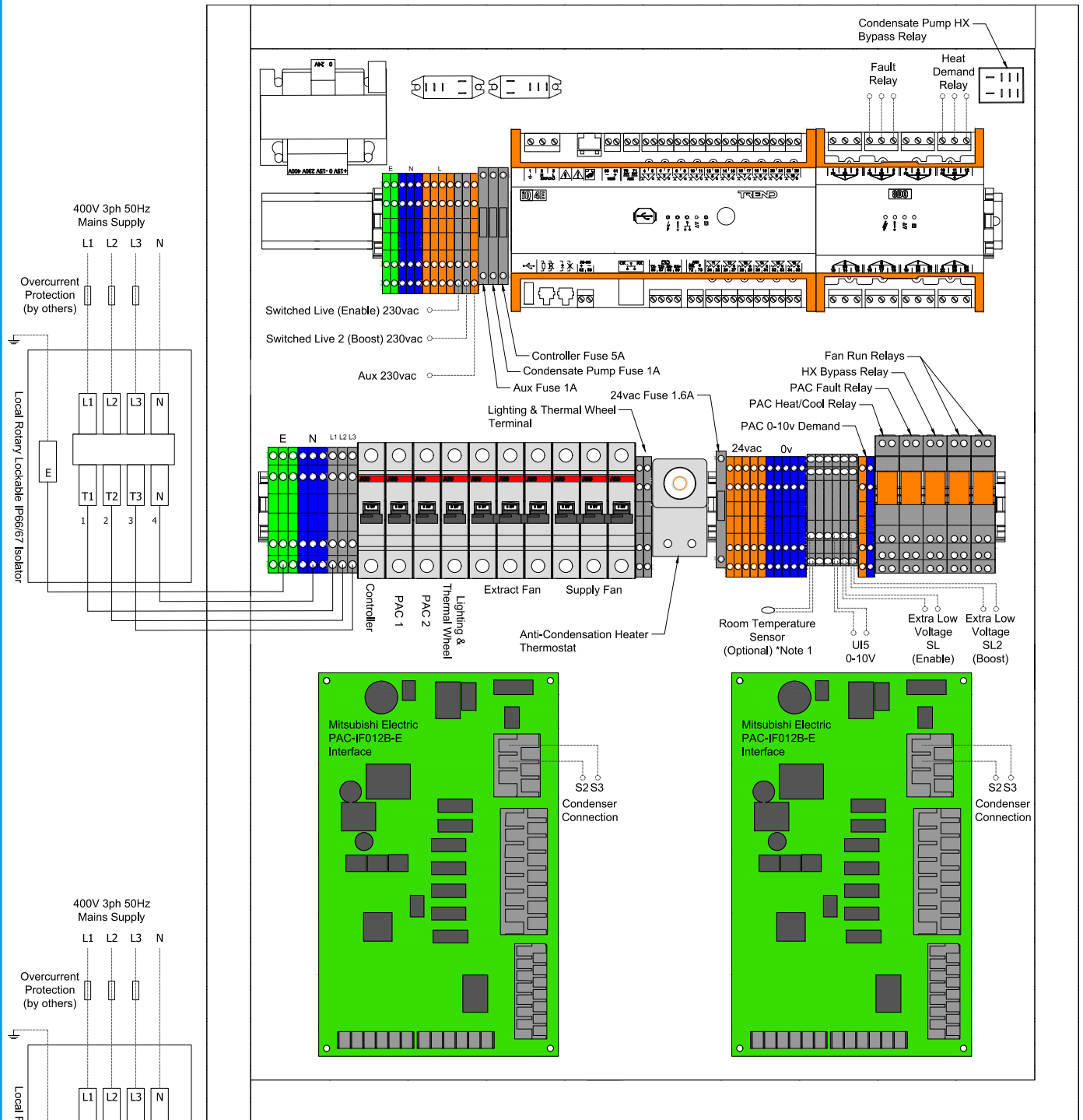
710.7 Unit Sizes 05 - 10 with Electric Heating & Reverse Cycle DX

34 Unit Sizes 05 - 10 with Electric Heating & Reverse Cycle DX



710.8 Unit Sizes 15 - 20 with Electric Heating & Reverse Cycle DX

35 Unit Sizes 15 - 20 with Electric Heating & Reverse Cycle DX



# Electric Heater Section (Optional)

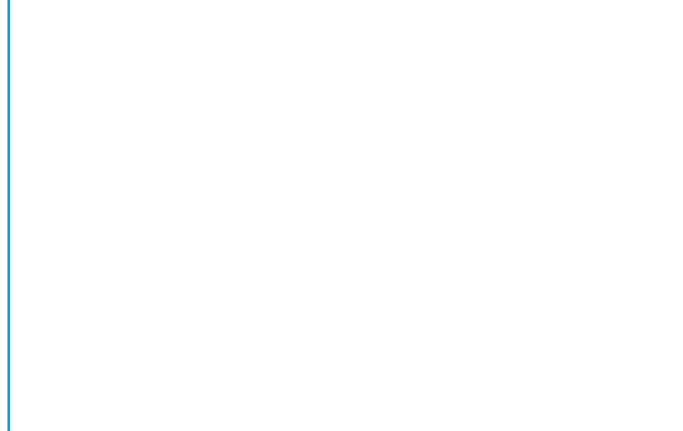
All internal connections between the heater section and the main section are made via interconnection looms. No external connections need to be made.

\* Note 1  
Connect space temperature sensor in place of extract temperature sensor for space temperature control.

## 8.0 CONTROLS

The system incorporates a web enabled Trend iQ4E/96/LAN/BAC/230 controller with iQ4/IO/8DO relay expansion module.

### 36 Trend iQ4E



### 8.1 Controllable Items

- Supply fan.
- Extract fan.
- Heat recovery bypass damper (If applicable).
- Thermal wheel (if applicable).
- Heating coil (if fitted).
- Cooling coil (if fitted).
- DX coil (if fitted).
- Inlet damper (if fitted).
- Exhaust Damper (if fitted).
- Recirculation damper (if fitted).

### 8.2 Enable Signal

The unit can be enabled via the following methods:

- Software switch (ENABLE) via SDU, IQView4, IQView8 or network.
- Switched live (230VAC) input, PIR etc.
- Extra Low voltage contacts.
- Night cooling / summer free-cooling strategy.
- Scheduled via weekly calendar.

When the enable signal is removed, the unit will run on for a time defined by the run-on setpoint. If an electric heater is fitted, the fans will automatically run-on for an extra 2 minutes, without heating, in order to dissipate residual heat.

For DX units the fans will run-on for an extra 5 minutes, this is to allow for the ramp down of the reverse cycle compressor.

### 8.3 Occupancy Control

When a Trend occupancy sensor is selected via UI4 & 5 software module, the control will look for a Trend OCC-U sensor in the appropriate input. An occupied signal will give an enable signal.

- 0V = Occupied
- 14V = Unoccupied

### 8.4 Boost Mode

When the control receives a boost signal the fans will run at boost speed. Once the signal is removed the fans will run on for a time defined by the boost run-on setpoint.

### 8.5 Trickle Mode

When trickle mode is active, the fans will run at their minimum speed even when there is no enable signal. Heating and cooling will also function in this mode if available.

### 8.6 Constant Pressure Sensor

An extract air pressure sensor is fitted as standard. This is disabled in the Trend strategy by default but can be enabled by the software switch "Enable Constant Pressure".

When enabled, the unit will increase the fans speeds as required until the pressure differential between the extract air and atmosphere reaches the constant pressure setpoint. The pressure sensor is a 0-10v 0-1000Pa sensor on the iQ4E input 6.

### 8.7 Filter Differential Pressure Switch

3 filter differential pressure switches are fitted as standard. These monitor the Extract filter, and Supply filter and Supply pre-filters.

These are connected in series with Alarm Circuit 2 (orange wires) and will break the circuit on overpressure. The adjustable range is 0.5 to 4 mbar and is set by default to 2mbar.

### 8.8 Thermal Wheel / Plate Heat Exchanger Bypass

The plate heat exchanger bypass damper and thermal wheel both run on the same iQ4-8DO Relay 1. Energised = Bypass.

The bypass strategy is as follows: If the fresh air temperature is equal to the setpoint within the deadband, then the heat exchanger will be forced into bypass mode.

The 24vac bypass signal from the Trend relay is converted by relay logic for each of the following options:

- Thermal Wheel  
Runs on a volt free enable signal, which is produced using a combination of the HX bypass relay and fan run relay to close the circuit if fans are running and the unit is not in bypass.
- Plate Heat Exchanger  
The HX bypass damper opens on a 24 Vac signal which is produced from the bypass damper relay.

### 8.9 Inlet / Outlet (IO) Dampers

Inlet and outlet dampers are 24vac and controlled by the iQ4-8DO relay 7. When energised it gives a 24vac signal to both I/O dampers to open.

When installed, there is the option of connecting the internal damper close switch to the fault circuit alarm circuit 2 (orange wires).

When IO dampers are fitted the strategy Switch "IO Damper Fitted" must be set to "On". This will cause the software to delay the fans starting for the IO Damper delay period. It will also ignore faults on Alarm Circuit 2 if the fans are stopped and the dampers are closed intentionally.

### 8.10 CO<sub>2</sub> Control

When a CO<sub>2</sub> sensor is selected via UI4 & 5 function knobs, and an enable signal is received, ventilation will increase to reduce CO<sub>2</sub> concentration the target CO<sub>2</sub> setpoint. The target CO<sub>2</sub> sensor setpoint can be changed as one of the commissioning setpoints.

### 8.11 Supply Air Temperature Control

While an enable signal is present, this mode modulates heating, cooling & heat exchanger bypass dampers with the aim of the supply air reaching the temperature setpoint. Please note that heating and cooling outputs will only function if the HeatingType or CoolingType setpoints are set to heating or cooling options.

### 8.12 Frost Protection

Should the internal temperature of the unit fall below a value defined in the commissioning variables, the control will override all heating/cooling logic to open the LPHW or CW control valves, if fitted. This is to allow any protective flow through the heating/cooling coils. The supply fan will also stop and the appropriate frost protection software module will enter an alarm state. This period will last for a minimum of 5 minutes by default. The fault relay will also open. Heat and cool demand relays will not operate but digital inputs "Frost Protecting LPHW" or "Frost protecting CW" will enter an alarm state. Please note that frost protection will only function if the HeatingType or CoolingType setpoints are set to LPHW or CW.

### 8.13 Night Cooling / Summer Free Cooling

Once enabled in software, this routine uses an individual time schedule to cool the fabric of the building at night using only the external air. This mode only functions if the daytime temperature is above the setpoint, cooling is possible and if the cooling air is not too cold.

### 8.14 Mitsubishi Reverse Cycle DX (Optional)

For units for use with Mitsubishi reverse cycle condenser units, one or more PACIF012B-E Interface boards are fitted inside the control panel. The controller interacts with this board in the following ways:

- Digital Output Heat/Cool selection from iQ4E relay 8. Another relay is used to split output over multiple boards.
- 0-10v Heat/Cool demand from iQ4E OUT14.
- Faults are monitored via iQ4E IN8 (Alarm circuit 2). A relay is fitted to reverse the fault action.
- The defrost status relay is connected to the enable input of the controller to start the fans when the condenser enters defrost mode.

When Mitsubishi Reverse Cycle DX is fitted, this is selected in software by setting the cooling type "3-Reverse Cycle". A heating type is not required unless another heating type is fitted (eg LPHW).

Once this is selected cooling and heating demand will share iQ4E OUT14 and heat/cool is decided on the state of iQ4E relay 8. (Energised = Cool Demand)

For the cases where Reverse Cycle DX and another heating type are both fitted, a schedule module is provided in the Trend strategy. When the schedule is on, the heating output reverts to LPHW/Electric heating.

The enable run-on time must be set to 3 minutes for reverse cycle units. This is required in order to keep the compressor running for at least 3 minutes for each period.

A minimum-on module is connected to the heat/cool relay in order to stop frequent mode switching.

Although the controller outputs a variable 0-10v heating/cooling voltage, the Mitsubishi condenser can only run at 7 discrete levels and so cannot supply an accurate supply air temperature.

The PAC boards are powered from the BPS control so the only connections required to the Outdoor condenser are S2 & S3. For the same reason, SW8-3 must be set to "ON" on the outdoor unit.

### 8.15 Partial Recirculation Damper (Optional)

If a partial recirculation module is fitted, the recirculation damper will open/close via iQ4-8DO Relay 6 according to the following strategy.

If the room temperature is more than 5°C (adjustable) from the setpoint and free-cooling or free-heating is not available then partially recirculate the air.

This aids heating and cooling elements and also avoids thermal loss from the room.

### 8.16 Alarms

#### 8.16.1 Critical Alarm (Latching)

Once in critical alarm state the unit will drive all heating and cooling outputs to 0V. Other functions continue as normal. The critical alarm is latched and required manual reset or power cycle to clear.

Causes of critical alarm:

- Fan fail via fault circuit 1.
- Heater overtemp via fault circuit 1.

#### 8.16.2 Maintenance Alarm

Once in maintenance alarm state the only action taken is de-energising of the fault relay. Once the trigger is removed, the alarm will reset automatically.

Causes of critical alarm:

- Condensate pump fault via alarm circuit 2
- dp Filter fault via alarm circuit 2.
- IO damper fault via alarm circuit 2.
- Thermal Wheel fault via alarm circuit 2.
- Sensor failure
- Low supply temperature, default 8°C (Can be set to stop fans if required).
- Frost protection routine active, default 4°C (Only runs if water valves are selected as fitted)
- Excessively high supply temperature reading (Will stop heating).

If pump fault circuit is broken two additional events occur in order to stop condensate production.

- The heat exchanger will enter bypass mode.
- Alarm 2 circuit will break, stopping cooling functions.

All alarms have a hold off period set by the setpoint "Alarm delay".

#### 8.16.3 Thermal Trip

In case of software failure, as a final resort, the electric heater is protected by a fail-safe thermal overload switch. This switch disables the heater controller via a contactor once the temperature reaches 80°C. When this occurs, the critical alarm will latch in software and the supply contactor will latch in the off position.

Once the unit cools, the contactor will remain latched off until power cycle.

8.17 Setpoints

Most of the following are user adjustable within engineered limits:

Switch No.	Name	Description	Range	Default
1	Enable	Software enable switch	On/Off	Off
3	Trickle Mode	When On, fans will trickle even with no enable signal	On/Off	Off
5	Wiring Verification	Factory Use Only	On/Off	Off
7	Boost	Software boost switch	On/Off	Off
10	Tachofitted	For units with tacho to digital converter. Fan fault will be ignored if fans are stopped intentionally.	On/Off	Off
11	Fan & Heater Test	Factory Use Only	On/Off	Off
12	ForceOverheat	Factory Use Only	On/Off	Off
13	Fan Only Test	Factory Use Only	On/Off	Off
14	DamperBypass	Force HX to Bypass	On/Off	Off
15	DamperOutOfBypass	Force HX to HX	On/Off	Off
22	Force Stop on Low Temp	Stops fans upon LOWTEMPALARM	On/Off	Off
23	Summer Night Free Cool Active	Set night cooling mode as active	On/Off	Off
33	Alarm Reset	Resets alarm on change of value	On/Off	Off
49	Enable Constant Pressure	Enabled constant pressure mode	On/Off	Off
50	IO Damper Fitted	Imposes fan delay to allow dampers to open.	On/Off	Off
51	DamperRecirc	Force Recirc damper to recirc mode	On/Off	Off
52	Damper NoRecirc	Force Recirc damper out of recirc mode	On/Off	Off

Knob No.	Name	Description	Range	Default
2	Run-on Time	Run-on timer value	0-3600 Sec	0 sec
4	SetTemp	Desired temperature setpoint	10-30 °C	22°C
5	UI4 Fun.1=CO2 2=Occ 3=FSC	Input 4 Function, 0 = None, 1 = CO2/T/D, 2 = Trend Occ, 3=FSC	0-3	0
6	Deadband	Dead-band for temp control	0-10 k	3k
7	UI5 Func.1=CO2 2=Occ 3=FSC	Input 5 Function, 0 = None, 1 = CO2/T/D, 2 = Trend Occ, 3=FSC	0-3	0
8	Supply Fan Max	Individual fan maximum speed setting	20-100%	100%
9	Supply Fan Min	Individual fan minimum speed setting. (Trickle speed)	0-100%	20%
10	Extract Fan Max	Individual fan maximum speed setting	20-100%	100%
11	Extract Fan Min	Individual fan minimum speed setting. (Trickle speed)	0-100%	20%
12	Supply Fan Boost	Supply fan boost speed	20-100%	100%
13	Extract Fan Boost	Extract fan boost speed	20-100%	100%
14	CO2 Target	The target setpoint for CO2 control	0-10000 PPM	650 PPM
15	CO2 Range Min	The lower limit CO2 value corresponding to the limit voltage	0-10000 PPM	0 PPM
16	CO2 Voltage Min	The lower limit voltage corresponding to the limit of range	0-10 v	0 v
17	CO2 Range Max	The upper limit CO2 value corresponding to the limit voltage	0-10000 PPM	2000 PPM
18	CO2 Voltage Max	The upper limit voltage corresponding to the limit of range	0-10 v	10 v
19	Alarm Delay	Alarm hold-off delay	0-300 Sec	15 sec

Knob No.	Name	Description	Range	Default
20	High Air Temp Alarm	High supply air temp alarm temperature	30-70 °C	50 °C
21	Low Air Temp Alarm	Low supply air temp alarm temperature	-40-20°C	8 °C
22	Heating Type 1=LPHW 2=Electric	Heating Type 0=None, 1=LPHW, 2=Electric	0-2	0
23	Cooling Type 1=CW 2=DX 3=RC	Cooling Type 0=None, 1=CW, 2=DX, 3=Reverse Cycle	0-3	0
24	Summer Night Free Cool MinTemp	Night cooling lower cut-off temperature	5-30°C	10°C
25	SummerNight Free Cool FanSpeed	Night cool fan speed	20-100%	80%
29	Supply Fan Start Voltage	The voltage threshold of passing 0% rotational speed	0-5 v	1 v
30	Extract Fan Start Voltage	The voltage threshold of passing 0% rotational speed	0-5 v	1 v
31	Supply Fan Voltage Limit	The maximum voltage to be supplied to the fan motor	6-10 v	10 v
32	Extract Fan Voltage Limit	The maximum voltage to be supplied to the fan motor	6-10 v	10 v
41	CP Loop Gain	Constant Pressure Loop Gain	0-50	0.5
42	IO Damper Delay	Delay to allow inlet outlet dampers to open	0-300 sec	0 sec
43	Boost Run-on	Boost Run On	0-3600 sec	0 sec
44	CP Loop Integral	Constant Pressure Loop Integral	0-30	1
45	CP Loop Derivative	Constant Pressure Loop Derivative	0-30	0
46	FrostProTemp	Temperature, below which, any water valves will be overridden open	-40-10°C	4 °C
47	Constant Pressure Setpoint	Setpoint for constant pressure mode	0-1000 Pa	400 Pa
50	MinFrostProtectPeriod	Minimum time frost protection will be enabled	0-600 sec	300 sec
51	Recirc Offset	The temperture difference require before recirculation starts	0-20°C	5 °C
58	Cool Loop Gain	Cool Loop Gain	-30-0	-5
59	Cool Loop Integral	Cool Loop Integral	0-30	2
60	Cool Loop Derivative	Cool Loop Derivative	0-30	0
61	Heat Loop Gain	Heat Loop Gain	-30-0	-5
62	Heat Loop Integral	Heat Loop Integral	0-30	2
63	Heat Loop Derivative	Heat Loop Derivative	0-30	0
64	CO2 Loop Gain	CO2 Loop Gain	-30-0	-0.5
65	CO2 Loop Integral	CO2 Loop Integral	0-30	10
66	CO2 Loop Derivative	CO2 Loop Derivative	0-30	0



8.18 Sensors & Touch Screen Controllers

To help you select the appropriate control solution for your application, simply refer to one of the options below. For the full range and technical details, please visit [www.nuaire.co.uk](http://www.nuaire.co.uk).

8.18.1 Thermistor Temperature Sensors

Low cost thermistor sensors comprising insertion, clamp-on, and outside air versions. The insertion sensor may be used for duct or immersion purposes. It has a 6mm diameter brass probe which is suitable for retrofit immersion applications and will fit most existing pockets (universal fitting kit option).

**Part Code:** **TB/TI/S** - For duct or immersion use. Short 150mm  
**TB/TI/L** - For duct use only. Long 400mm.

- Low cost
- High quality thermistors
- Brass probes
- M20 conduit entry with M16 cable gland
- IP67 housing
- Quarter turn quick release lid
- Easy to wire
- Universal kit option for retrofit of immersion sensors
- Adjustable insertion depth flange option for duct sensors

8.18.2 In Duct Humidity & Temperature Sensors

Duct mounted relative humidity and temperature sensors for HVAC applications. The certified 2% high accuracy (1/2%) and standard 3% versions offer excellent linearity and stability over a wide humidity range (10 to 90 %RH).

**Part Code:** **HT/D** - Duct & Thermistor Sensor (+/-3%)

- Pre-calibrated for ease of commissioning
- IP65
- Operates over 10 to 100 %RH non-condensing
- ± 3% accuracy versions
- 2 part connectors for ease of installation
- Humidity sensor element protected by replaceable filter
- Capacitive humidity sensing element provides excellent long term stability
- Adjustable depth duct mounting flange option

8.18.3 CO<sub>2</sub> Sensors

The CO<sub>2</sub> duct and space sensors monitor the carbon dioxide concentration and temperature of the air. The space sensors have additional options of humidity monitoring and a 4 digit display. The display will show the measured values in succession. The duct sensor has a quick-release lid to facilitate installation.

**Part Code:** **CO2/T/D** - Duct & Thermistor Sensor (+/-3%)  
**CO2/T/S** - Space CO<sub>2</sub> Concentration & Temperature Sensor

- Pre-calibrated for ease of commissioning
- IP65
- Operates over 10 to 100 %RH non-condensing
- ± 3% accuracy versions
- 2 part connectors for ease of installation
- Humidity sensor element protected by replaceable filter
- Capacitive humidity sensing element provides excellent long term stability
- Adjustable depth duct mounting flange option

8.18.4 Occupancy Sensors

The ceiling mounted OCC/U Ultrasonic Occupancy Detection System is specifically designed for combined HVAC and lighting control in open plan office environments.

**Part Code:** **OCC/UD/DC** - Ultrasonic Detector, adjustable in 1 direction.  
**OCC/UDA/DC** - Ultrasonic Detector, adjustable in 2 directions.

- Monitors occupancy over approximately 5 m diameter floor space
- Fully automatic system operation
- Direct connection to IQ Controllers
- Lights never go off when needed (even detects hand movements)
- Simple low cost installation
- Extendable coverage of up to 10 detectors per IQ input
- Corridor linking facility

8.18.5 Touch Screen Controllers

**37 Available Sensors & Touchscreen Controllers**

Thermistor Temperature Sensors

In Duct Humidity & Temperature Sensors

CO<sub>2</sub> Sensor

Occupancy Sensors

SDU Display

IQVIEW4 Touch Screen Display

IQVIEW8 Touch Screen Display

**SDU DISPLAY** - (10 x 6 inch), **RD/SDU-IQ2COMMSCABLE/3m** - RJ11 plug to RJ11 plug cable (3m) for SDU.

**IQVIEW4 TOUCH SCREEN DISPLAY** - (6 x 4 inch), **FPK/Plate** - Mounting Plate.

**IQVIEW 4-SM-BOX** - Surface mount box for wall or panel.  
**Transformer for IQVIEW4 included ACC/24V - 230/224 VAC, 36VA**

**IQVIEW8 TOUCH SCREEN DISPLAY** - (10 x 6 inch).

**IQVIEW8BOX** - Surface mount box for flat surfaces.  
**Transformer for IQVIEW8 included ACC/24V - 230/224 VAC, 36VA**

## 9.0 MAINTENANCE

It is important that maintenance checks are recorded and that the schedule is always adhered to, in all cases, the previous report should be referred to.

### 9.1 Fans

Please refer to general arrangement drawings for details of the type of fan and drive that is fitted. Maintenance guidelines for all fans are beyond this manual, please contact Nuairé for specific documents.

- Before any work is carried out, please ensure that:
  - The power supply to the motor is switched off.
  - The fan impeller is at rest.

Measures are taken to ensure that the accidental, uncontrolled running of the fan is prevented during maintenance work.

In general, fans should be inspected twice a year, and care should be taken to ensure that any unusual vibration or sound is investigated as an urgent matter.

Access to the fan section is via hinged or lift-off panels. Cable entry must be made through the apertures provided. Screwed glands with cable restraint devices should be used.

### 9.2 General Fan Maintenance

Access to the fan is normally gained by opening the hinged access doors.

Care should be taken to remove any build up of dust (a light vacuum or light brushing will normally take care of this) Do not use a steam or any other high pressure cleaners.

Inspect the connection between the fan and unit for any damage or wear and tear.

### 9.3 Bearings

The bearings that are fitted will be (unless otherwise specified) "sealed for life", therefore consequence maintenance is not required.

Fan bearings are lifelong; up to 40,000 hours of operation. In cases of heavy duty operation, maintenance intervals are to be established by the operator.

### 9.4 Filters

When removing the filter access panels, pay attention to the airflow direction marked on the panel, this must be replaced to the exact position prior to being removed. Disposable filters should be checked, and changed when they become fully laden with dust. Washable filters should be removed and washed in a mild detergent, flushed with clean water and allowed to dry before refitting.

### 9.5 Coils

Coils should be connected to ensure that full counter flow exists i.e. the entering airflow meets the return connection.

All coils should be connected with the flow at the bottom and the return at the top unless otherwise advised. Drain and bleed valves are located on the coil, others may be required in the system pipe-work depending on the installation.

Frost protection must be incorporated on shut down and fresh air conditions to avoid coil freezing. Ideally, where the system is at risk of frost damage, the addition of a proprietary antifreeze solution to the water is recommended.

Pipe-work connections should be made to the unit using appropriate techniques, and must be independently supported. The connections should be pressure tested.

All coils sit in a common drip tray connected to the pre-fitted condensate pump.

The coil panel has been pre-drilled and fitted with appropriate grommets for pipe connections. Do not drill or cut the unit casing for this purpose.

Coils should have their finned surface examined for accumulation of dirt, lint and biological contaminants or similar. If necessary, wash down affected areas with a mild detergent solution and a soft brush. Care should be taken not to damage the finned surface, and any cleaning fluids should be rinsed away with water.

A compressed air line may be used to blow out any solids between fins. Do not probe the coil fin block with metal objects as damage may cause leaks. Drain lines should be checked to ensure that they are unobstructed and free draining. Drain pans should be flushed out periodically to remove contamination.

**The unit application may require particular attention to this item – Check with Building Management personnel for details.**

### 9.6 Legionella Check

Legionella risk management should be undertaken by a competent person appointed by the duty holder in accordance with the latest edition of the HSE approved code of practice L8 Legionnaires' disease, the control of legionella bacteria in water systems. Particular attention should be given to:

- Cooling coil.
- Thermal Wheel.
- Drain trays.
- Water reservoirs.

### 9.7 Electric Heaters

An air handling unit would normally require no heater maintenance. However a periodic check is advised to ensure that the fasteners and electrical connections are operating correctly.

The electric heater unit is fitted with fail-safe thermal switches (self-resetting) which will isolate the electric heater supply if a temperature of 80°C is detected. This action is performed independently of any controls fitted. Nuairé fitted controls will also stop heating if a fan or heater failure is detected.

### 9.8 Bulkhead Lights

Ensure that lights are switched off and isolated before checking or changing the lamp.

### 9.9 General

Inspect all internal and external surfaces to check for corrosion or peeling of painted surfaces.

Thoroughly clean affected areas with a wire brush, apply a coat of zinc rich primer or similar, and re-touch with suitable finishing paint. Ensure tightness of all nuts, bolts, and fixings.

**Check all components for general condition.**

### 9.10 Specialist Equipment

Contact Nuairé for maintenance of specialised equipment that would have been specified during design stage. A breakdown of the component parts can be found on the design specification documents, additional maintenance literature is available, please contact Nuairé.

This applies to any components not specifically mentioned in this document.

## 9.11 Maintenance Schedule

### 9.11.1 Routine Maintenance

- Clean all areas of unit and treat any areas of corrosion.
- Check all access doors for leakage and if necessary locks should be adjusted and any replacement gasket materials should be replaced as required.
- Any drain trays should be cleaned and repaired if necessary.

### 9.11.2 Every 3 Months

- Check filters and change/clean if required, failure to do so may impair the performance and energy efficiency of this unit.
- Ensure condensate drains are cleaned clear and that water can flow freely from unit.
- Check fin coil banks and heat exchangers. If necessary clean with a soft brush or vacuum. Check for signs of contamination.

### 9.11.3 Annually

- Thoroughly inspect the unit and its components for corrosion, acting immediately to treat/restore any damaged areas.
- All electrical terminals within the unit should be tightened.
- Check all earth connections.
- Check control dampers blades.
- Check operation of damper actuators and linkages and adjust as necessary.
- Coil faces should be inspected and any dust removed.
- Check any thermal wheel belt, motor, bearings, seals and if necessary clean with a soft brush or vacuum cleaner.

## 10.0 COMMISSIONING

Before commissioning the unit, ensure that all equipment has been assembled in accordance with the installation procedure all instances where the unit is in operation the access doors should remain closed; at no time, during maintenance or otherwise, should anyone be inside a unit whilst it is in operation.

### 10.1 Fan & Motor

Care should be taken to ensure that the fan and motor run freely and that the fan is rotating in the correct direction.

The electrical current being drawn by motors should not exceed the manufacturers recommendations (specified on the motor plate). If the current exceeds this, check the fan volume flow rate and the static resistance.

### 10.2 Commissioning Checklist

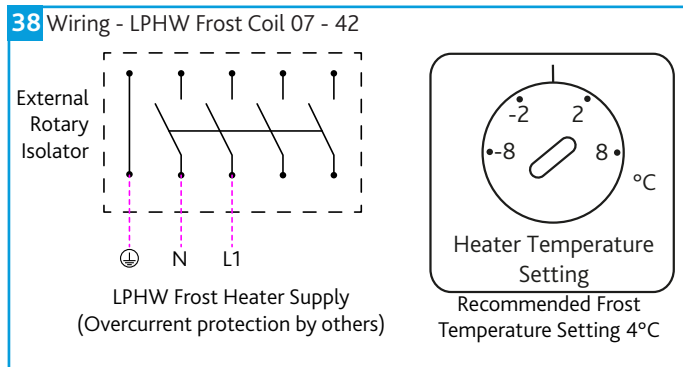
- All equipment received is according to specification/order.
- Any damage to unit identified.
- Fan base shipping restraints / Fixing Brace removed (if applicable).
- The correct installation procedure has been carried out in accordance to Nuairé's recommendations.
- Any fan and thermal wheel motor pulleys are properly aligned.
- Anti-vibration mounts are adjusted accordingly.
- Check / adjust fan and thermal wheel belt tension.
- Rotate fan impellers and motors to ensure they run freely.
- Check any additional bearings and couplings (where fitted manually).
- Condensate drain traps are checked. Check all filters are correctly fitted.
- Ensure ductwork is complete.
- Check electrical supply voltage and tightness of all electrical connections.
- Ensure control damper operation.
- Ensure access panels and doors are fitted properly and secure.
- Check fan motor current draw.

## 11.0 FROST COIL INSTALLATION (OPTIONAL ANCILLARY)

### 11.1 LPHW Frost Coil

LPHW frost coils are fitted with a frost stat on the air in side and an on/off 230v valve actuator (Unit size 32 & 42 are NOT provided with valve and actuator). If the frosts stat switches to a frost condition, the valve actuator will open. The valve will open whether the fans are running or not. This is for pipe freeze protection. The LPHW section requires its own supply in order to power the valve actuator.

### 11.2 Wiring - LPHW Frost Coil Unit Sizes 05 - 20

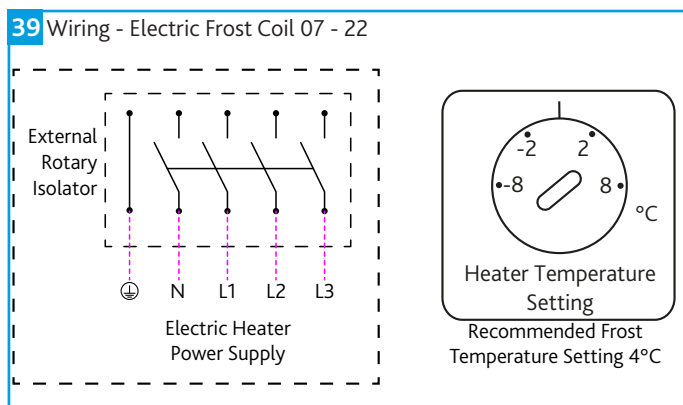


### 11.3 Electric Heater Frost Coil

Electric heater frost coils are fitted with its own internal control panel. The control is powered by a 400Vac 50Hz 3 phase & Neutral supply. This must be isolated local to the unit and fitted with appropriate overcurrent and fault protection. It connects to the main unit via "plug and play" interconnecting looms. (See interconnection section for details). No external connections are required. Electric heater elements are protected by a fail-safe over-temperature switch which will disconnect the heater supply if a temperature of 80°C is reached. Once the elements cool, the switch will reset but a power cycle is required to reset the heater supply contactor.

The frost coil is fitted with a burst fired controller with integral set point, air off thermistor, air in frost stat, thermal cut-out and contactor. The burst fired controller is only enabled if the frost stat reads a frost condition, the over-temperature cut-out is healthy AND a 24vac fan run signal is received from the main control panel. Once enabled the burst fired controller will increase heating output to achieve the set point set by the physical dial on the unit.

### 11.4 Wiring - Electric Heater Frost Coil Unit Sizes 05 - 20



### 11.5 Electrical Supply FLC's

‡ Double electric heater models require separate supplies for two heater sections, each with an appropriate overcurrent current protection device.

Unit Size	Electric Frost Heater FLC (Ancillary)	LPHW Frost Coil FLC (Ancillary)
B*05H/**AT	17.5 A	0.1 A
B*10H/**AT	35 A	0.1 A
B*15H/**AT	52.5 A	0.1 A
B*20H/**AT	52.5 A	0.1 A

## 12.0 WARRANTY

The 5 year warranty starts from the day of delivery and includes parts and labour for the first year. The remaining period covers replacement parts only.

This warranty is void if the equipment is modified without authorisation, is incorrectly applied, misused, disassembled, or not installed, commissioned and maintained in accordance with the details contained in this manual and general good practice.

The product warranty applies to the UK mainland and in accordance with Clause 14 of our Conditions of Sale. Customers purchasing from outside of the UK should contact Nuaire International Sales office for further details.

**Failure to maintain the unit as recommended will invalidate the warranty.**

## 13.0 END-OF-LIFE AND RECYCLING

Where possible Nuaire use components which can be largely recycled when the product reaches its end-of-life:

- Fans, motors, controls, actuators, cabling and other electrical components can be segregated into WEEE recycling streams.
- Sheet metal parts, aluminium extrusion, heating/cooling coils and other metallic items can be segregated and fully recycled.
- EPP, plastic ducting, nylon corner pieces, plastic heat exchangers, packaging material and other plastic components can be segregated into mixed plastic and widely recycled.
- Cardboard packaging, wood, used filters and other paper components can be largely recycled or fully processed in energy from waste centres.
- Remaining Items can be further segregated and processed in accordance with the zero waste hierarchy. Please call After Sales Support for further information on items not listed above.

**Ensure that Nuaire product is made safe from any electrical / water / refrigerant supplies before dismantling commences. This work should only be undertaken by a qualified person in accordance with local authority regulations and guidelines, taking into account all site based risks.**

## 14.0 AFTER SALES AND REPLACEMENT PARTS

For technical assistance or further product information, including spare parts and replacement components, please contact the After Sales Department.

If ordering spares please quote the serial number of the unit together with the part number, if the part number is not known please give a full description of the part required. The serial number will be found on the identification plate attached to the unit casing.

**Telephone 02920 858 400**  
**[aftersales@nuaire.co.uk](mailto:aftersales@nuaire.co.uk)**

Technical or commercial considerations may, from time to time, make it necessary to alter the design, performance and dimensions of equipment and the right is reserved to make such changes without prior notice.

## DECLARATION OF INCORPORATION AND INFORMATION FOR SAFE INSTALLATION, OPERATION AND MAINTENANCE

We declare that the machinery named below is intended to be assembled with other components to constitute a system of machinery. All parts except for moving parts requiring the correct installation of safety guards comply with the essential requirements of the Machinery Directive. The machinery shall not be put into service until the system has been declared to be in conformity with the provisions of the EC Machinery Directive.

Designation of machinery: Boxer BPS Models



Machinery Types: Supply and Extract Fans with Heat Recovery

Relevant EC Council Directives: 2006/42/EC

Applied Harmonised Standards: BS EN ISO 12100-1, BS EN ISO 12100-2, EN60204-1, BS EN ISO 9001, BS EN ISO 13857

Applied National Standards: BS848 Parts 1, 2.2 and 5

Signature of manufacture representatives:

Name:		Position:		Date:	
1)A. Thomas		Engineering Director		18. 06. 16	
2)C. Sargent		Manufacturing Director		18. 06. 16	

Note: All standards used were current and valid at the date of signature.

## INFORMATION FOR SAFE INSTALLATION, OPERATION AND MAINTENANCE OF NUAIRE VENTILATION EQUIPMENT

To comply with EC Council Directives 2006/42/EC Machinery Directive and 2014/30/EU (EMC). To be read in conjunction with the relevant product documentation (see 2.1)

- |   |  |
|---|--|
| <p><b>1.0 GENERAL</b></p> <p>1.1 The equipment referred to in this Declaration of Incorporation is supplied by Nuairé to be assembled into a ventilation system which may or may not include additional components. The entire system must be considered for safety purposes and it is the responsibility of the installer to ensure that all of the equipment is installed in compliance with the manufacturers recommendations and with due regard to current legislation and codes of practice.</p> <p><b>2.0 INFORMATION SUPPLIED WITH THE EQUIPMENT</b></p> <p>2.1 Each item of equipment is supplied with a set of documentation which provides the information required for the safe installation and maintenance of the equipment. This may be in the form of a Data sheet and/or Installation and Maintenance instruction.</p> <p>2.2 Each unit has a rating plate attached to its outer casing. The rating plate provides essential data relating to the equipment such as serial number, unit code and electrical data. Any further data that may be required will be found in the documentation. If any item is unclear or more information is required, contact Nuairé.</p> <p>2.3 Where warning labels or notices are attached to the unit the instructions given must be adhered to.</p> <p><b>3.0 TRANSPORTATION, HANDLING AND STORAGE</b></p> <p>3.1 Care must be taken at all times to prevent damage to the equipment. Note that shock to the unit may result in the balance of the impeller being affected.</p> <p>3.2 When handling the equipment, care should be taken with corners and edges and that the weight distribution within the unit is considered. Lifting gear such as slings or ropes must be arranged so as not to bear on the casing.</p> <p>3.3 Equipment stored on site prior to installation should be protected from the weather and steps taken to prevent ingress of contaminants.</p> <p><b>4.0 OPERATIONAL LIMITS</b></p> <p>4.1 It is important that the specified operational limits for the equipment are adhered to e.g. operational air temperature, air borne contaminants and unit orientation.</p> <p>4.2 Where installation accessories are supplied with the specified equipment e.g. wall mounting brackets. They are to be used to support the equipment only. Other system components must have separate provision for support.</p> <p>4.3 Flanges and connection spigots are provided for the purpose of joining to duct work systems. They must not be used to support the ductwork.</p> <p>4.4 <b>Local Environment - Humidity.</b> Ambient humidity (the humidity at the unit's installed location) shall be within the range: 10 to 95% (for controls, non-condensing). Air humidity (the humidity of the air passing through the unit) shall be within the range: 10 to 95% (for controls, non-condensing).</p> | <p><b>5.0 INSTALLATION REQUIREMENTS</b></p> <p>In addition to the particular requirements given for the individual product, the following general requirements should be noted.</p> <p>5.1 Where access to any part of equipment which moves, or can become electrically live are not prevented by the equipment panels or by fixed installation detail (e.g. ducting), then guarding to the appropriate standard must be fitted.</p> <p>5.2 The electrical installation of the equipment must comply with the requirements of the relevant local electrical safety regulations.</p> <p>5.3 For EMC all control and sensor cables should not be placed within 50mm or on the same metal cable tray as 230V switched live, lighting or power cables and any cables not intended for use with this product.</p> <p><b>6.0 COMMISSIONING REQUIREMENTS</b></p> <p>6.1 General pre-commissioning checks relevant to safe operation consist of the following:<br/>                 Ensure that no foreign bodies are present within the fan or casing.<br/>                 Check electrical safety e.g. Insulation and earthing.<br/>                 Check guarding of system.<br/>                 Check operation of Isolators/Controls.<br/>                 Check fastenings for security.</p> <p>6.2 Other commissioning requirements are given in the relevant product documentation.</p> <p><b>7.0 OPERATIONAL REQUIREMENTS</b></p> <p>7.1 Equipment access panels must be in place at all times during operation of the unit, and must be secured with the original fastenings.</p> <p>7.2 If failure of the equipment occurs or is suspected then it should be taken out of service until a competent person can effect repair or examination. (Note that certain ranges of equipment are designed to detect and compensate for fan failure).</p> <p><b>8.0 MAINTENANCE REQUIREMENTS</b></p> <p>8.1 Specific maintenance requirements are given in the relevant product documentation.</p> <p>8.2 It is important that the correct tools are used for the various tasks required.</p> <p>8.3 If the access panels are to be removed for any reason the electrical supply to the unit must be isolated.</p> <p>8.4 A minimum period of two minutes should be allowed after electrical disconnection before access panels are removed. This will allow the impeller to come to rest.<br/> <b>NB: Care should still be taken however since airflow generated at some other point in the system can cause the impeller to "windmill" even when power is not present.</b></p> <p>8.5 Care should be taken when removing and storing access panels in windy conditions.</p> |
|---|--|



