



COOKERHOODC-SS-B

High Performance Extract Fan Installation and Maintenance



1.0 Introduction

The Nuaire high performance Cooker Hood Extract Fan has 298 m³/hr extraction capacity. It incorporates a simple push button control to generate speed and lighting. A non-return flap is included in the unit.

Maximum Noise Level: 63 dB.

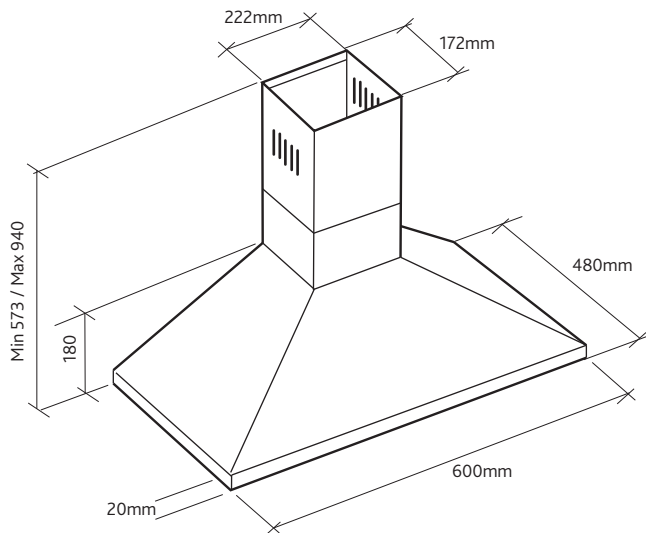
Casing shall be manufactured from easy to clean stainless steel.

The unit is fitted with two, washable metallic grease filters for quick and easy maintenance.

Code Description appliance: COOKERHOODC-SS-B

2.0 Dimensions

Figure 1. COOKERHOODC-SS-B Dimensions



Product Dimensions:

Height: 573mm - 940mm
Width: 600mm
Depth: 480mm

Chimney Section Dimensions:

172mm x 222mm

3.0 Installation

Installation must be carried out by competent personnel conforming to all statutory and governing regulations. Electrical connection should be undertaken by a qualified electrician.

The unit is designed for internal wall mounting (minimum two people) in the vertical plane with the grease filters directly above the cooker hob top/burners and is for domestic use only.

When installing the unit, the cooker hood should be placed at a distance of 650-750mm above the cooking plane for best effect.

If the unit is installed for use above a gas appliance then the provision for ventilation must be in accordance with the Gas Safety Codes of Practice BS.6172, BS.5440 & BS.6891

(Natural Gas) and BS.5482 (LP Gas) 1994, the Gas Safety (Installation and Use) Regulations, the Building Regulations issued by Department of the Environment, the Building Standards (Scotland) (Consolidated) Regulations issued by the Scottish Development Department.

Do not alter or modify the specifications of this product in any way.

IMPORTANT

Before commencing work on the hood, including replacing light bulbs make sure that the unit has been disconnected from the power supply.

3.1 General Installation

When installed between adjoining wall cabinets, the cabinets must not overhang the hob.

The edges of the cooker hood are sharp - so handle the unit with care, especially during installation and cleaning.

If the room where the cooker hood is to be used contains a fuel burning appliance such as a central heating boiler then its flue must be of the sealed or balanced flue type. If other types of flue or appliances are fitted, ensure that there is an adequate supply of air in the room.

To ensure high extraction efficiency of the hood, ensure that the ducting is fire retardant and bends are no more than 90 degrees. Also ensure the ducting for the extractor function has the same diameter as the outlet hole all the way through.

The cooker hood should not be exposed to a direct heat source from the cooking device under it i.e. a naked flame from a gas burner or heat from electric hobs without a pan on them.

Lights on the appliance should only be left on when using the unit.

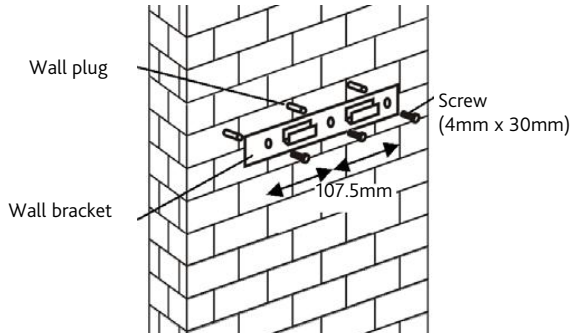
IMPORTANT

Before installation, ensure the voltage (V) and frequency (Hz) indicated on the rating plate are exactly the same as the voltage and frequency of the home. The rating plate is on inside of the hood behind the grease filters. Connect the unit to the mains supply after the rest of the installation process has been completed.

3.2 Unit Installation

- Position the bracket against the wall that you intend to install on. Mark the position of the holes that are to be drilled (Figure 2).
- Using a drill bit with an 8mm diameter, make holes in the wall on the positions marked. Insert wall plugs into all the holes.
- Securely fix the bracket to the.
- Lift up the cooker hood and hang onto the wall bracket.

Figure 2. Fitting the Bracket



3.3 Connecting Ducting to the Hood

- Connect the 1 way valve to the top of the cooker hood, and then connect 150mm ducting (enamel, aluminium, flexible pipe or inflammable material) to the coupling.
- The other end of the hose should be connected to a discharge outlet that is suitable for cooking vapours and should have a cross section of at least 150cm².
- The maximum distance between the coupling and the discharge outlet should be 3 metres, with one 90° bend.

Figure 3. Support screw hole locations

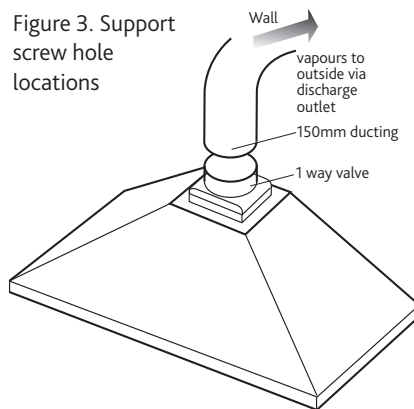
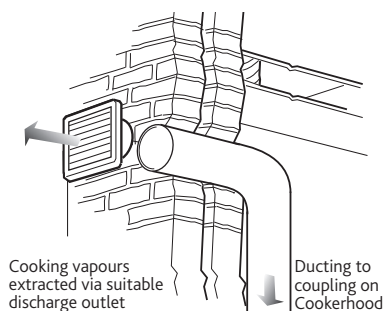


Figure 4. Mounting the hood



3.4 Chimney Installation

- Rest the bottom of section C on the top of the hood taking care to position the tabs on the chimney section into the rear of the hood.
- Mark the side measurement of both sides of chimney section C onto the wall with a pencil.
- Lift chimney section D up until it reaches the ceiling. Ensure that it is perpendicular with the hood and chimney section C. Mark the side measurement of both sides of chimney section D onto the wall with a pencil and then remove section D (Figure 5).

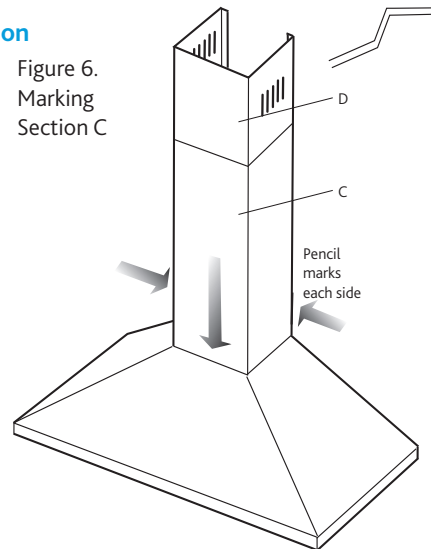


Figure 5. Marking Section D

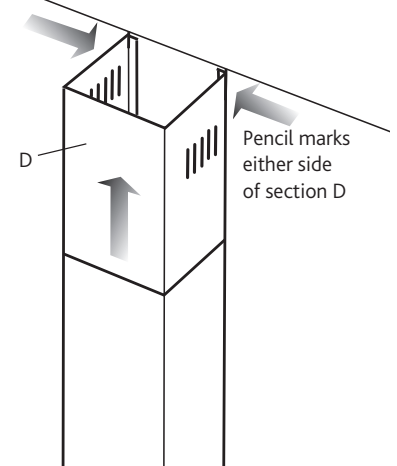
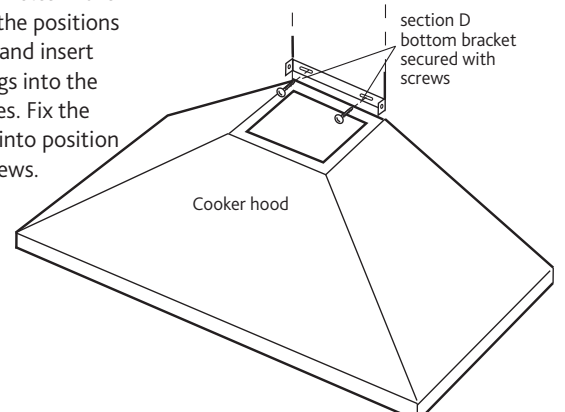
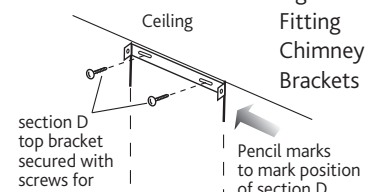


Figure 7. Fitting Chimney Brackets

- Take a fixing bracket and place it between the two pencil marks that you made previously.
- Whilst keeping the bracket in contact with the wall, use a pencil to mark through the anchoring holes that are cut out of the bracket.
- Use a 8mm drill bit to make holes in the wall on the positions marked and insert wall plugs into the two holes. Fix the bracket into position with screws.



- Now remove both chimney sections D and C and fix a second bracket between the two pencil marks that were made either side of chimney section C.
- Refit chimney section C to the hood using the screws provided. Secure the bottom of chimney section C to the fixing bracket (screws provided).
- Slide chimney section D inside of section C. Lift chimney section D up to the ceiling and secure it to the top fixing bracket using (screws provided).

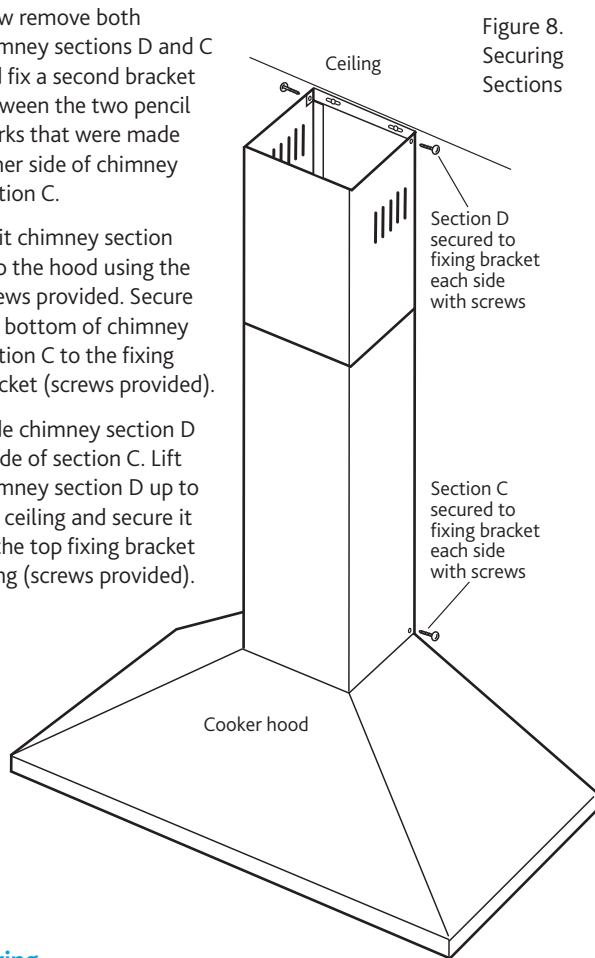


Figure 8.
Securing
Sections

3.6 Installation Completion

If you are setting the appliance to recirculation mode, then you should now fit the two carbon filters (see Section 3.8).

The electrical connection must correspond to the electrical requirement noted on the rating plate, which is placed inside the cooker hood. The appliance should now be connected to the electrical supply. See above for detailed information on the electrical connection.

Refit the grease filter and then switch on the mains supply to the appliance. Check that the appliance is operating correctly by selecting each speed and switching the light bulbs on and off.

IMPORTANT

THIS APPLIANCE MUST BE EARTHED
It should only be connected by a qualified electrician, using fixed wiring via a double pole switched fused spur outlet (UK ONLY).

3.7 Extraction or Recirculation Mode?

To get optimum performance from your cooker, the air will be taken out of the room via external ducting.

Unfortunately if you live in a flat or the hood is too far from an outside wall, this may not be possible. The only alternative is to recirculate the air.

In recirculation mode stale air is taken via the grease filter, and passed through a charcoal filter for purification. The air then re-enters the kitchen via an opening in the hood.

3.7.1 What is a Carbon Filter and do I need one?

All cooker hoods have a grease filter but if you are using your cooker hood in recirculation mode, then a carbon filter must be fitted in addition to the grease filter.

3.8 Carbon Filter

If the appliance is being used to be used in recirculation mode then it is necessary to fit carbon filters. This will help to absorb unpleasant odours caused by cooking.

IMPORTANT

Before attempting to fit or remove the carbon filters, you must ensure that you have disconnected the cooker hood from your mains supply.

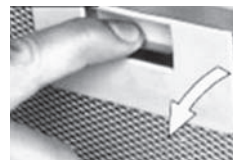


Figure 9. Removing
Grease Filters



Figure 10. Fitting Carbon
Filter



Figure 11. Securing
Carbon Filter

3.5 Wiring

This cooker hood is intended for fitted and permanent installation.

The cooker hood's power cable must be fitted upstream from the electrical connection, using an omni-polar switch with a contact distance of at least 3 mm. The fuse must be rated at 3 amps.

We recommend that the appliance is connected by a qualified electrician, who is a member of the N.I.C.E.I.C and who will comply with the I.E.E and local regulations. The wires in the mains lead are coloured in accordance with the following UK code:

Blue = Neutral
Brown = Live
Green/Yellow = Ground

If only two wires are found in the mains lead (blue and brown), then the earth terminal must NOT be connected.

As the colours of the wires in the appliance's mains lead may not correspond with the coloured markings identifying the terminals in your spur box, please proceed as follows:

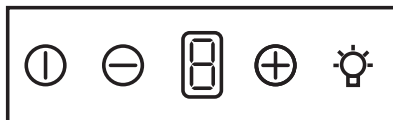
The blue wire must be connected to the terminal marked "N" (neutral), or coloured black. The brown wire must be connected to the terminal marked "L" (live), or coloured red.






Power Consumption: 205W (motor 125W + 2x 40W light bulbs)

- Remove the grease filters.
- Hook the carbon filter over the pins that are located at the end of the motor (Figure 9). Turn the carbon filter clockwise, until you feel it click into place.
- Repeat this process for the second carbon filter. You need to place a carbon filter at either end of the motor.
- Refit the grease filters.

4.0 Operation

Figure 12. Control Panel



-  **On/Off Button**
-  **Decrease Speed Button**
-  **Increase Speed Button**
-  **Light Button**
-  **Digital Display**

Speed 1: Used for light cooking (small amount of steam).
 Speed 2: Used for general cooking.
 Speed 3: Used for heavy cooking (large amount of steam).

5.3.1 Quick Timer

Press & hold the - and + buttons for 1 second. The digital display will begin flashing. After five minutes the motor & light will automatically turn off and a buzzer will sound for one second.

5.3.2 Booster Function

The cooker hood has a booster function, to activate the booster, increase the speed to setting 4. The hood will increase speed for 5 minutes, before slowing down again.

5.0 Maintenance

5.1 General

IMPORTANT

Before cleaning, always ensure that you have isolated your cooker hood from the electrical power supply.

Clean the external parts of your cooker hood with lukewarm mild liquid detergent and a new damp cloth. Never use metal pads, chemical, abrasive material or a stiff brush. Never insert pointed objects into the motor's protective grid.

5.2 Carbon Filters (Recirculation Mode)

If the appliance is being used in recirculation mode then it is necessary to replace the carbon filters at least once a year for general cooking applications. Heavier use of the cooker hood will require higher frequency carbon filter replacement.

5.3 Grease Filters

Grease filters collect grease and dust which has a direct effect on the efficiency of the cooker hood. If not cleaned, the (potential flammable) grease residue will saturate on the filter. **Clean the filter every month to prevent any risk of fire.**

Remove the grease filters by pulling down on the handle and pulling them away from the cooker hood. Soak the grease filter in hot water and washing up liquid for about an hour. Rinse them off thoroughly with hot water. Repeat the process if required. Refit the grease filters once they have dried.

It is important to let the grease filters dry thoroughly before refitting them in the cooker hood.

Figure 13. Removing metal grease filters



5.4 Lights

Prior to touching the light bulbs ensure they are cool. Find the bulb that requires replacement, you will find it located in the light fixture which is inside the exposed section of the canopy.

Disconnect the light wiring point and remove the bulb holders and wiring from the hood. Important: It is not possible to replace the bulbs individually, it will be necessary to obtain the bulbs, bulb holders and wiring as a complete part (LED light: MAX 1.5W).

Fit the replacement bulbs, bulb holders and wiring in the same manner as the originals and reconnect the light wiring point.

6.0 Warranty

The 2 year warranty starts from the day of delivery and includes parts only.

This warranty is void if the equipment is modified without authorisation, is incorrectly applied, misused, disassembled, or not installed, commissioned and maintained in accordance with the details contained in this manual and general good practice.

The product warranty applies to the UK mainland and in accordance with Clause 14 of our Conditions of Sale. Customers purchasing from outside of the UK should contact Nuair International Sales office for further details.

7.0 After Sales

For technical assistance or further product information, including spare parts and replacement components, please contact the After Sales Department.

Telephone 02920 858 400
aftersales@nuaire.co.uk