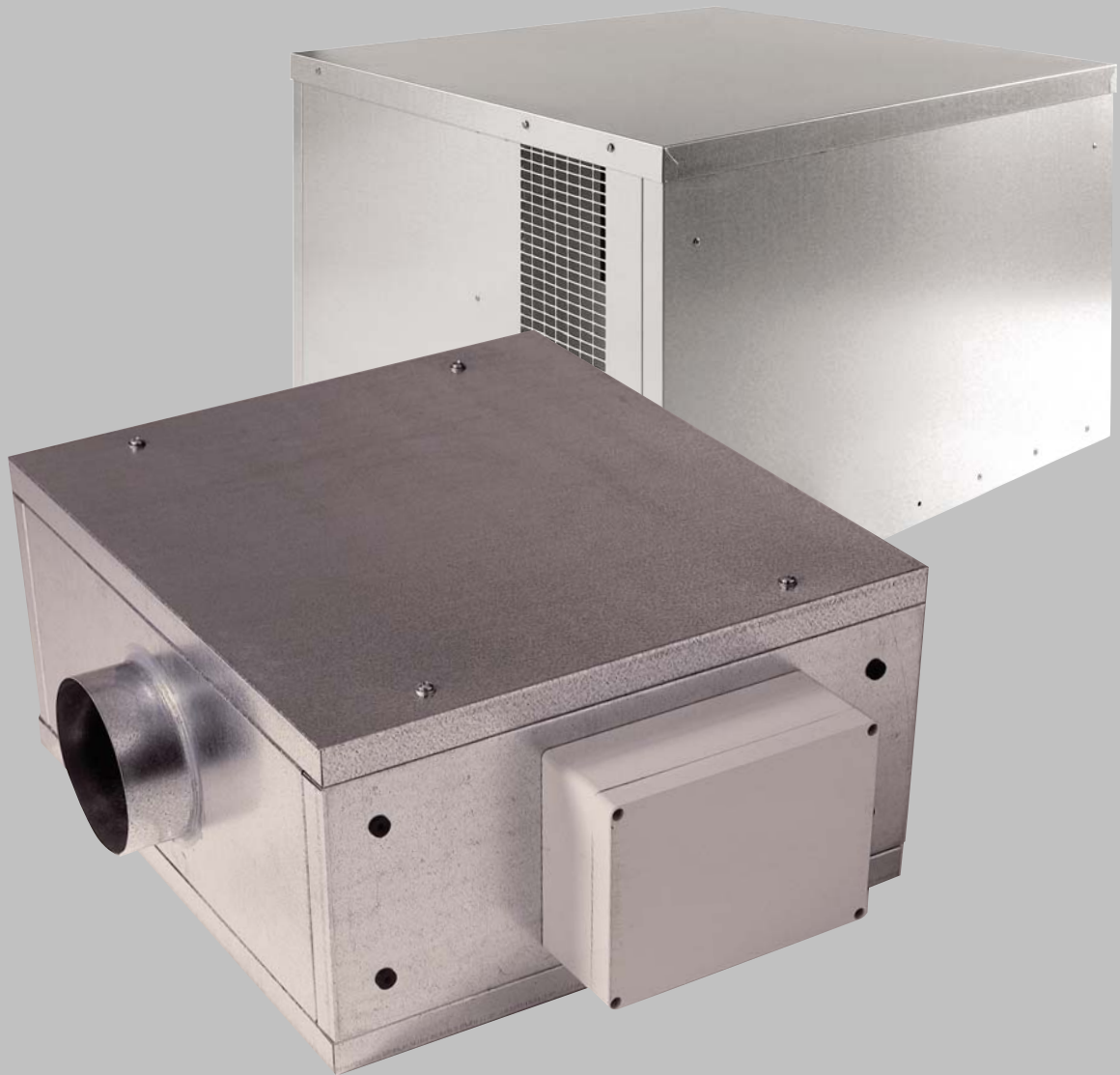


# ▶ NALTF & NALTRF - DIRECT & BELT DRIVE TWIN FANS



Wide range of ancillaries  
available, including silencers,  
AV's, controls and ducting.

## BENEFITS

### The Range

The Direct Drive NALTF for internal use in line twinfan range consists of 8 models with duties up to 1.53 m<sup>3</sup>/s.

The Direct Drive NALTRF Roof Mounted twinfan range consists of 8 models with duties up to 1.40 m<sup>3</sup>/s.

The Nuair NALTF and NALTRF Belt Drive Twinfan range consists of the following units:

NALTF/NALTRF Plantroom/Roof in line mounted unit.

NALTRF Plantroom/Roof bottom inlet unit.

NALTRF Plantroom/Roof bottom/end inlet unit. (Larger sizes).

- **Guaranteed ventilation**

Integral autochangeover ensures that ventilation is maintained.

- **Wide choice**

8 sizes available in Direct Drive and 16 sizes for Belt Drive.

- **Integral autochanger/duty share**

No need for a separate control panel. Enhanced product life.

- **Easy to install**

Live, neutral and earth connections.

- **High efficiency**

Forward curved centrifugal impeller.

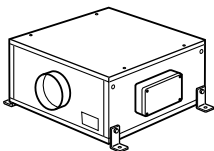
- **Easy maintenance**

Top access panel allows ease of maintenance.

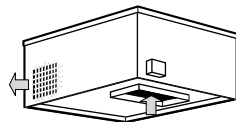
- **Warranty**

NALTF & NALTRF twin fans have a 1 year warranty.

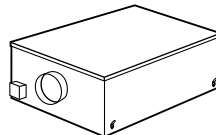
### Alternative connection and mounting options



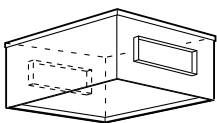
Direct drive internal duct mounted twin fans.



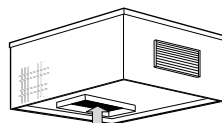
Direct drive roof mounted twin fans.



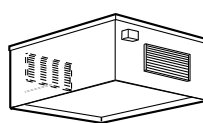
Belt drive roof twin fans.



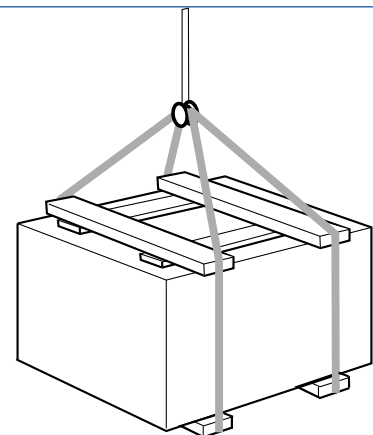
Belt drive roof twin fans.



Belt drive in line twin fans.



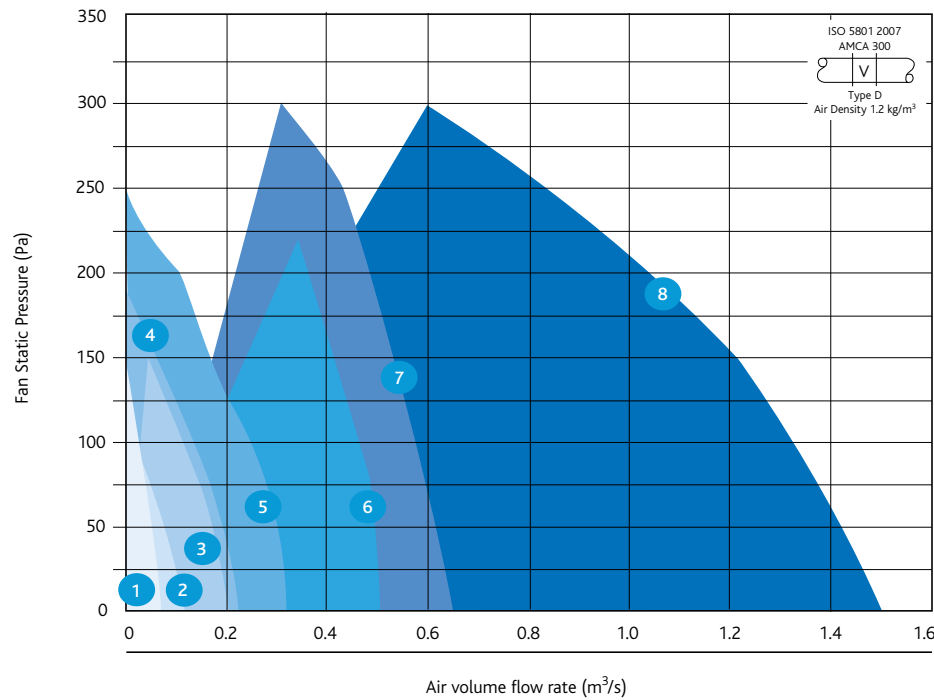
Belt drive in line twin fans.



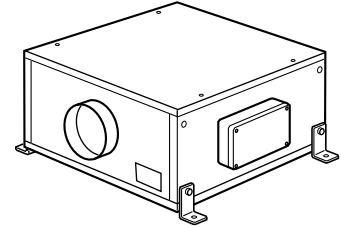
Lifting a unit with slings via spreaders.

## Performance - NALTF Direct Drive Twin Fans

### NALTF Direct Drive Units 1-8



### Casing



NALTF Direct Drive Twin Fans 1 - 8.

### Code descriptions

#### NALTF - 1

- 1 NALTF Twin Fan range
- 2 Case sizes 1 to 8

**Note:** All Twin Fans incorporate Controls as standard. Comprising:

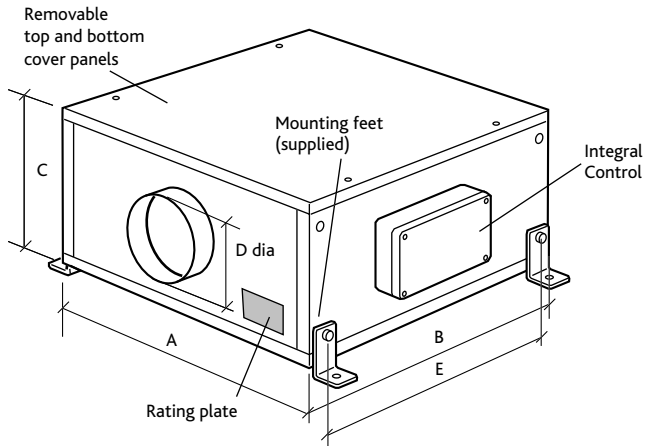
- Auto Changeover
- Auto Duty Share every 12 hours

## NALTF Direct Drive Twin Fans

ELECTRICAL, SOUND & WEIGHT														
Code/ Curve	Phase	RPM	Motor power (kW)	FLC (amps) (kW)	SC (amps)	Inlet/ Outlet	Induct inlet Sound Power levels (dB 10-12W) Freq Hz							
							125	250	500	1K	2K	4K	8K	dBa@3M
NALTF1	1	2040	0.085	0.74	1.4	I O	67 69	56 63	55 54	52 66	41 50	32 41	31 35	27
NALTF2	1	1320	0.093	0.68	1.5	I O	79 75	61 62	55 58	48 57	47 55	39 47	35 39	36
NALTF3	1	1320	0.230	1.83	4.6	I O	82 82	61 65	57 60	54 57	53 54	48 52	44 45	38
NALTF4	1	1140	0.375	2.13	5.5	I O	72 78	66 71	60 65	57 63	54 59	51 58	47 54	37
NALTF5	1	1140	0.375	2.13	5.5	I O	72 78	66 71	60 65	57 63	54 59	51 58	47 54	37
NALTF6	1	1140	0.650	3.63	8.0	I O	71 74	65 66	59 67	63 72	62 71	60 67	54 61	39
NALTF7	1	1170	1.150	5.02	18.0	I O	84 85	76 80	68 77	69 76	69 76	68 74	64 69	51
NALTF8	1	960	1.650	7.3	50.0	I O	79 87	76 85	75 88	72 91	72 92	68 90	61 83	59

Sound levels may vary when speed controlled.

## Dimensions - NALTF Direct Drive Twin Fans



## DIMENSIONS (mm) & WEIGHTS

Fan Code	A	B	C	Circular Spigot D dia	Weight kg
NALTF1	450	495	238	125	19.5
NALTF2	465	710	303	200	31.9
NALTF3	560	710	370	200	43.4
NALTF4	700	970	476	250	57.5
NALTF5	700	970	476	250	57.5
NALTF6	700	970 <td 476	400	62.5	
NALTF7	970	970	476	400	68.5
NALTF8	895	1174	575	500	154

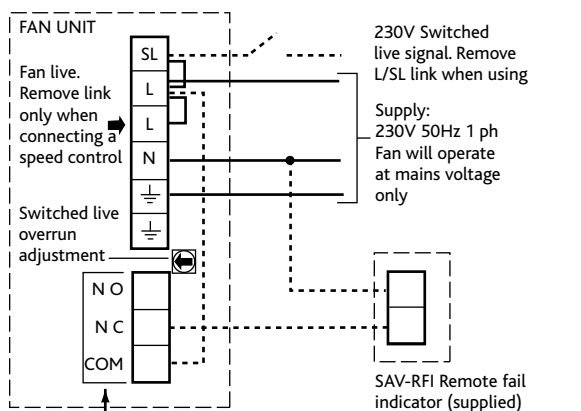
## Quick Selection Guide

### NALTF DIRECT DRIVE TWIN FANS UNITS 1 - 8

Fan code	Silencer	Fast Clamp	Circular Flexible Connector	AV's	Electronic Speed Control
NALTF1	SIL-125	FC-125	CFC12	NAV1	ESC1-3A
NALTF2	SIL-200	FC-200	CFC20	NAV2	ESC1-3A
NALTF3	SIL-200	FC-200	CFC20	NAV2	ESC1-3A
NALTF4	SIL-250	FC-250	CFC25	NAV2	ESC1-3A
NALTF5	SIL-250	FC-250	CFC25	NAV2	ESC1-3A
NALTF6	SIL-400	FC-400	CFC40	NAV2	ESC1-6A
NALTF7	SIL-400	FC-400	CFC40	NAV2	ESC1-6A
NALTF8	SIL-500	FC-500	CFC50	NAV3	ESC1-10A

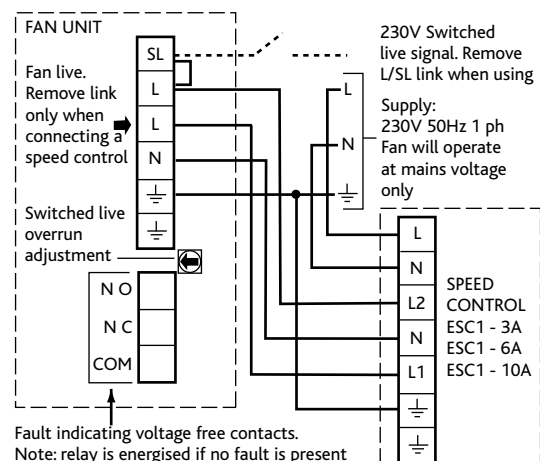
## Wiring - NALTF Direct Drive Twin Fans

### Basic fan wiring



Fault indicating voltage free contacts. Note: relay is energised if no fault is present i.e. COM - N O is connected if there is no fault.  
 Note: It is the responsibility of the installer to provide a suitable switchable local isolator for maintenance purposes etc.

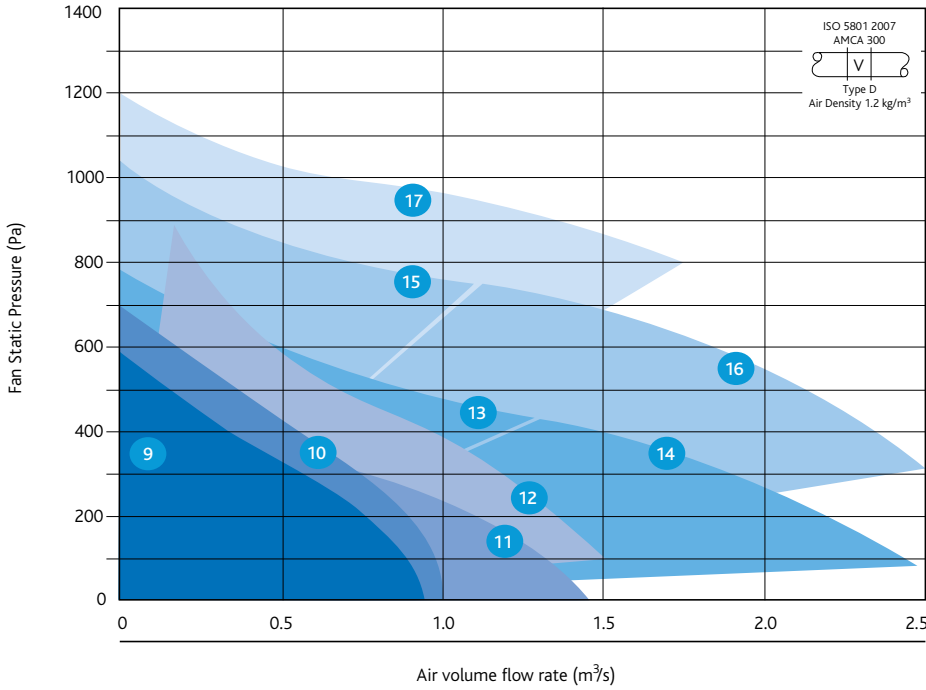
### Fan connected to a speed control



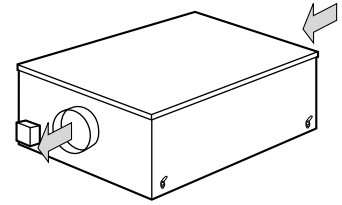
Fault indicating voltage free contacts. Note: relay is energised if no fault is present i.e. COM - N O is connected if there is no fault.  
 Note: It is the responsibility of the installer to provide a suitable switchable local isolator for maintenance purposes etc.

Performance - NALTF Belt Drive Twin Fans

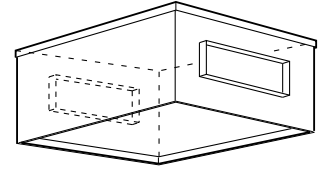
NALTF Belt Drive Units 9 - 17



Casing

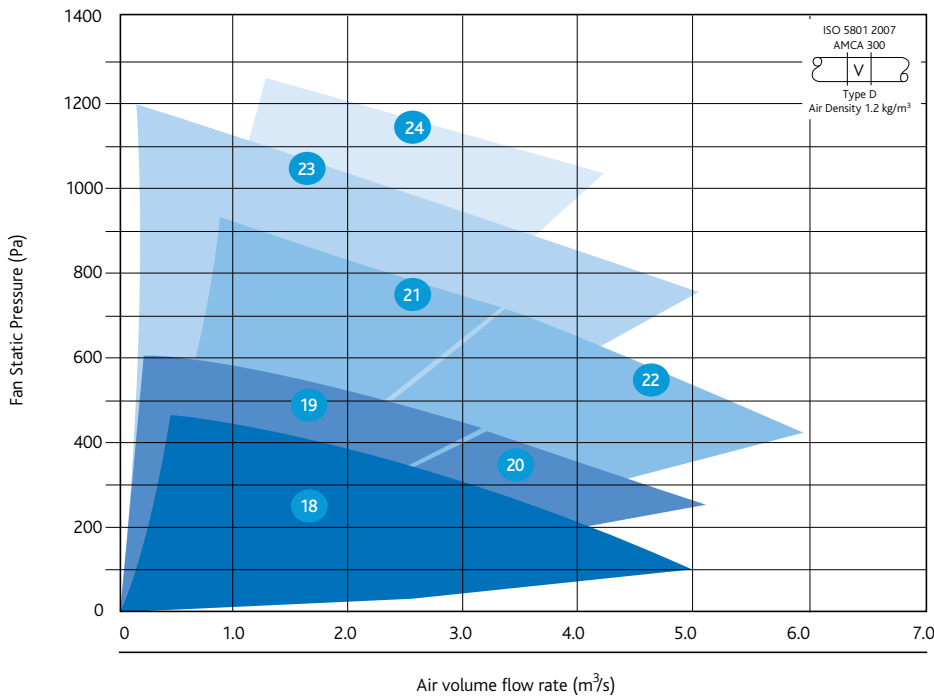


NALTF Belt Drive Twin Fans with round spigots. Units 9 - 17.



NALTF Belt Drive Twin Fans with rectangular spigots. Units 18 - 24.

NALTF Belt Drive Units 18 - 24



Code descriptions

NALTF - 9



- 1 NALTF Twin Fan range
- 2 Case sizes 9 to 24
- 3 A,B,C & D refer to motor & pulley combination
- 4 No suffix = Internal in-line unit  
X = internal

Please note curves 11-24 inc are belt drive

**Note:** All Twin Fans incorporate Ecosmart Controls as standard. Comprising:

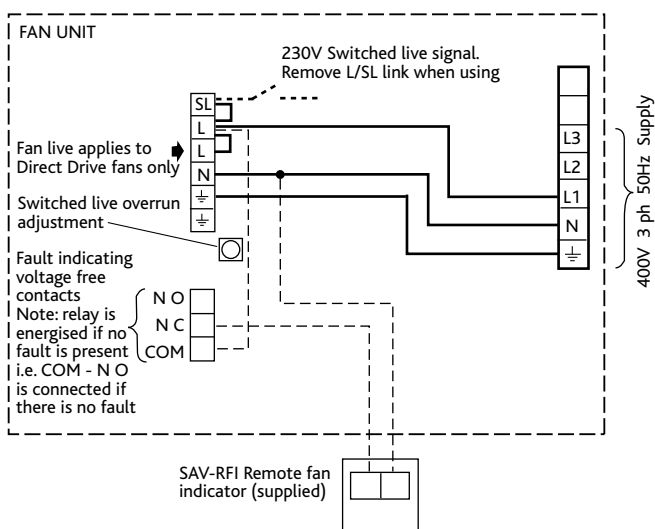
- Auto Changeover
- Auto Duty Share every 12 hours

## NALTF Belt Drive Twin Fans

### ELECTRICAL, SOUND & WEIGHT

Code/ Curve	Phase	RPM	Motor power (kW)	FLC (amps)	SC (amps)	Inlet/ Outlet	Induct inlet Sound Power levels (dB re 10-12W) Freq Hz							
							125	250	500	1K	2K	4K	8K	dBa@3M
NALTF9	3	1225	0.75	2.1	9.5	I	75	70	65	66	58	53	50	49
NALTF10	3	1400	1.1	2.9	13	I	77	73	67	69	60	54	47	51
NALTF11	3	1225	1.1	2.9	13	O	79	80	77	79	68	64	58	63
NALTF12	3	1225	2.2	4.8	29	I	73	69	70	64	59	61	55	48
NALTF13	3	1040	2.2	5.4	27	O	77	76	77	73	66	66	61	58
NALTF14	3	1040	4	10	60	I	81	81	76	76	74	71	68	61
NALTF15	3	1040	4	10	60	O	89	84	78	87	83	80	77	73
NALTF16	3	1260	3	6.9	38	I	84	83	79	80	77	74	69	61
NALTF17	3	1260	3	6.9	38	O	88	81	88	85	83	79	76	72
NALTF18	1	1260	5.5	12	75	I	85	83	81	81	78	76	71	62
NALTF19	1	1260	5.5	12	75	O	89	82	89	86	83	82	78	73
NALTF20	3	1440	5.5	12	75	I	86	84	82	81	79	77	73	62
NALTF21	3	1440	5.5	12	75	O	87	84	88	87	81	80	76	73
NALTF22	3	700	5.5	12	75	I	86	84	84	73	70	63	63	63
NALTF23	3	700	5.5	12	75	O	89	84	92	79	76	68	69	71
NALTF24	3	800	4	10	60	I	86	84	84	73	70	63	63	64
NALTF25	3	800	4	10	60	O	89	84	92	79	76	68	69	72
NALTF26	3	800	11	23	154	I	91	89	89	78	75	68	68	67
NALTF27	3	800	11	23	154	O	92	88	95	83	79	72	73	75
NALTF28	3	1000	5.5	12	75	I	90	87	87	76	75	68	69	66
NALTF29	3	1000	5.5	12	75	O	92	88	95	83	79	72	73	75
NALTF30	3	1000	11	23	154	I	93	91	91	80	77	70	70	69
NALTF31	3	1000	11	23	154	O	95	90	97	85	82	74	75	77
NALTF32	3	1100	11	23	154	I	92	90	90	79	76	69	69	70
NALTF33	3	1100	11	23	154	O	95	90	98	85	82	74	75	77
NALTF34	3	1200	11	23	154	I	93	90	90	79	78	71	72	69
NALTF35	3	1200	11	23	154	O	94	89	83	84	82	74	76	77

## Wiring - NALTF Belt Drive Twin Fans

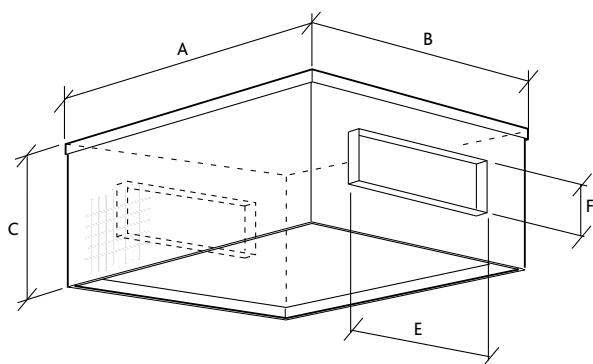
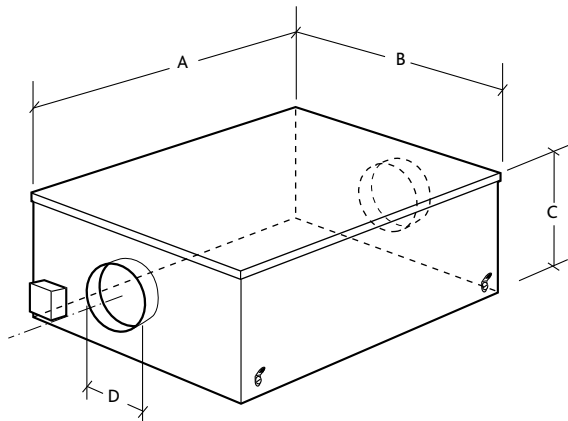


## TWIN FANS

### NALTF BELT DRIVE

#### TECHNICAL INFORMATION

### Dimensions - NALTF Belt Drive Twin Fans



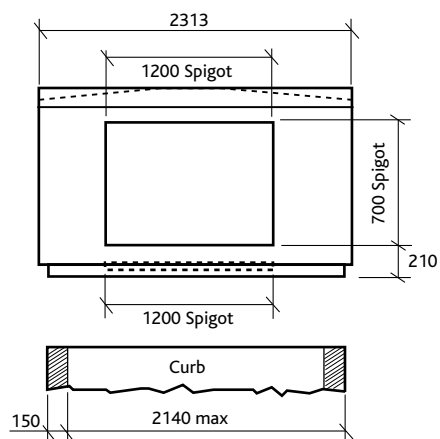
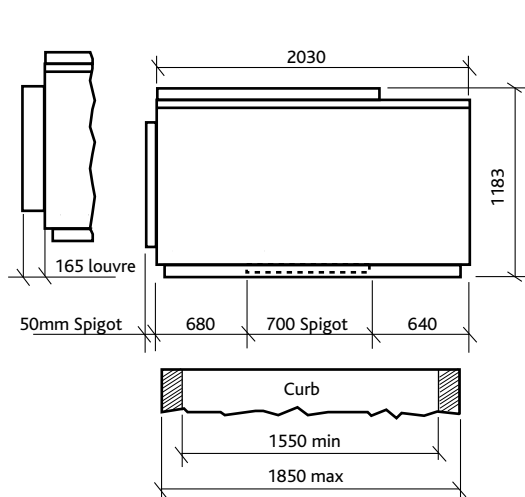
### DIMENSIONS (mm) & WEIGHTS

Fan Code	A	B	C	Circular Spigot D dia	Weight kg
NALTF9	974	974	622	400	91
NALTF10	974	974	622	400	125
NALTF11	1233	1233	701	500	169
NALTF12	1233	1233	701	500	134
NALTF13	1430	1635	796	630	194
NALTF14	1430	1635	796	630	175
NALTF15	1430	1635	796	630	232
NALTF16	1430	1635	796	630	232
NALTF17	1430	1635	796	630	232

### DIMENSIONS (mm) & WEIGHTS

Fan Code	A	B	C	Rectangular Spigot		Weight kg
				E	F	
NALTF18	2020	2300	1180	1200	700	716
NALTF19	2020	2300	1180	1200	700	794
NALTF20	2020	2300	1180	1200	700	730
NALTF21	2020	2300	1180	1200	700	794
NALTF22	2020	2300	1180	1200	700	794
NALTF23	2020	2300	1180	1200	700	794
NALTF24	2020	2300	1180	1200	700	750

### Typical Roof Upstand for NALTF 18-24



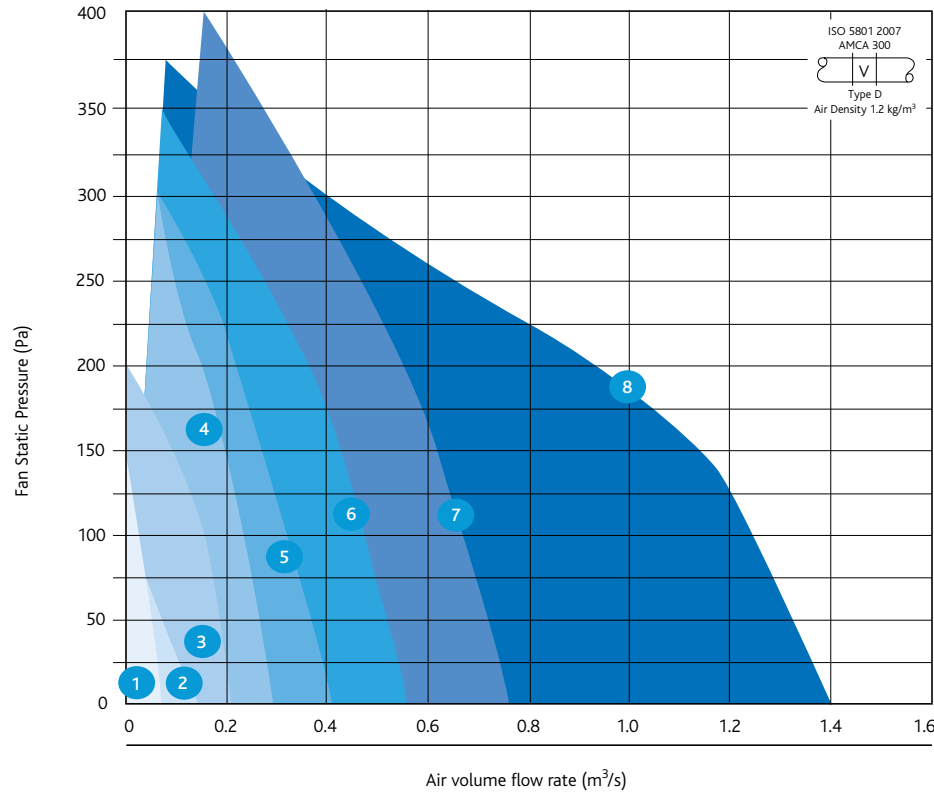
## Quick Selection Guide

NALTF BELT DRIVE TWIN FANS UNITS 9 - 24					
Fan code	Silencer	Fast Clamp	Circular Flexible Connector	AV's	Electronic Speed Control
NALTF9	CA40S/40L	-	CFC40	-	-
NALTF10	CA50S/50L	-	CFC50	-	-
NALTF11	CA50S/50L	-	CFC50	-	-
NALTF12	CA50S/50L	-	CFC63	-	-
NALTF13	CA63S/63L	-	CFC64	-	-
NALTF14	CA63S/63L	-	CFC65	-	-
NALTF15	CA63S/63L	-	CFC66	-	-
NALTF16	CA63S/63L	-	CFC67	-	-
NALTF17	CA63S/63L	-	CFC68	-	-
<b>Rectangular Flexible Connector</b>					
NALTF18	-	-	FXRC11	-	-
NALTF19	-	-	FXRC12	-	-
NALTF20	-	-	FXRC13	-	-
NALTF21	-	-	FXRC14	-	-
NALTF22	-	-	FXRC15	-	-
NALTF23	-	-	FXRC16	-	-
NALTF24	-	-	FXRC17	-	-

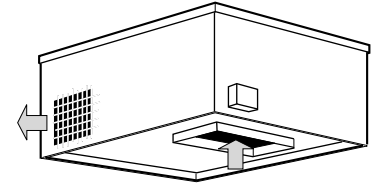


## Performance - NALTRF Direct Drive Twin Fans

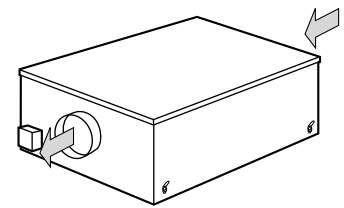
NALTRF Direct Drive Units 1-8



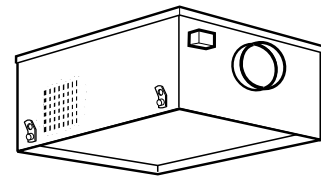
## Casing



NALTRF Standard Twin Fans.



NALTRF Spigot to Spigot Twin Fans.



NALTRF Back to Grille Twin Fans.

## Code descriptions

### NALTRF 1 - \*



- 1 NALTRF Twin Fan range
- 2 Case sizes 1 to 8
- 3 Inlet and discharge positions

## NALTRF Standard and Back to Grille Direct Drive Twin Fans

### ELECTRICAL, SOUND & WEIGHT

Code/ Curve	Phase	RPM	Motor power (kW)	FLC (amps)	SC (amps)	Inlet/ Outlet	Induct inlet Sound Power levels (dB 10-12W)							
							Octave band mid frequency (Hz)							dB(A)@3M
							125	250	500	1K	2K	4K	8K	
NALTRF1	1	2100	0.081	0.58	1.4	I	66	55	52	54	48	43	40	36
NALTRF1-B2G						O	66	61	54	57	55	50	45	44
NALTRF2	1	1260	0.091	0.54	1.5	I	74	55	57	50	47	41	38	37
NALTRF2-B2G						O	67	58	52	52	50	45	38	40
NALTRF3	1	1264	0.219	1.36	4.6	I	76	60	59	51	52	50	46	41
NALTRF3-B2G						O	71	63	56	60	57	53	49	46
NALTRF4	1	1260	0.328	1.3	5.5	I	68	63	60	56	55	52	50	43
NALTRF4-B2G						O	76	70	63	66	62	59	56	52
NALTRF5	1	1260	0.328	1.3	5.5	I	68	63	60	56	55	52	50	43
NALTRF5-B2G						O	76	70	63	66	62	59	56	52
NALTRF6	1	1200	0.511	2.24	7.9	I	71	69	62	57	59	57	57	48
NALTRF6-B2G						O	75	70	70	73	68	63	62	58
NALTRF7	1	1260	1.915	4.0	18.0	I	83	76	71	72	74	70	65	61
NALTRF7-B2G						O	82	78	73	76	73	71	62	62
NALTRF8	1	960	1.406	6.3	50.0	I	73	70	71	73	73	71	66	61
NALTRF8-B2G						O	86	82	81	80	78	77	74	68

## NALTRF Spigot to Spigot Direct Drive Twin Fans

### ELECTRICAL, SOUND & WEIGHT

Code/ Curve	Phase	RPM	Motor power (kW)	FLC (amps)	SC (amps)	Inlet/ Outlet	Induct inlet Sound Power levels (dB 10-12W)								
							Octave band mid frequency (Hz)								dB(A)@3M
							125	250	500	1K	2K	4K	8K		
NALTRF1-S2S	1	2040	0.085	0.74	1.4	I	67	56	55	52	41	32	31	27	
							O	69	63	54	66	50	41		35
NALTRF2-S2S	1	1320	0.093	0.68	1.5	I	79	61	55	48	47	39	35	36	
							O	75	62	58	57	55	47		39
NALTRF3-S2S	1	1320	0.230	1.83	4.6	I	82	61	57	54	53	48	44	38	
							O	82	65	60	57	54	52		45
NALTRF4-S2S	1	1140	0.375	2.13	5.5	I	72	66	60	57	54	51	47	37	
							O	78	71	65	63	59	58		54
NALTRF5-S2S	1	1140	0.375	2.13	5.5	I	72	66	60	57	54	51	47	37	
							O	78	71	65	63	59	58		54
NALTRF6-S2S	1	1104	0.650	3.63	8.0	I	71	65	59	63	62	60	54	39	
							O	74	66	67	72	71	67		61
NALTRF7-S2S	1	1170	1.150	5.02	18.0	I	84	76	68	69	69	68	64	51	
							O	85	78	77	76	76	74		69
NALTRF8-S2S	1	960	1.620	7.3	50.0	I	74	71	70	67	67	63	56	59	
							O	82	80	83	86	87	85		78

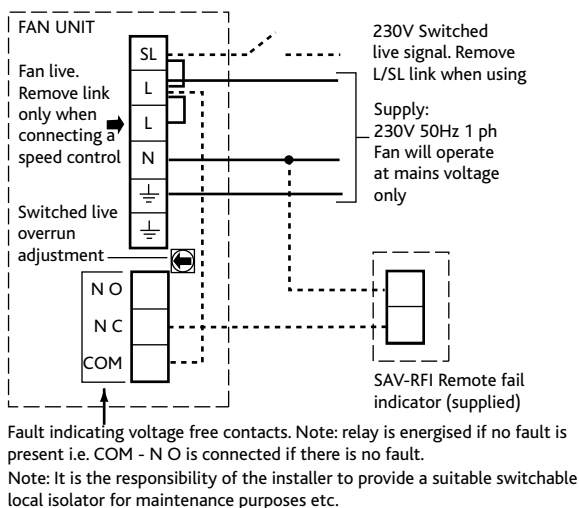
## Quick Selection Guide

### NALTRF DIRECT DRIVE TWIN FANS

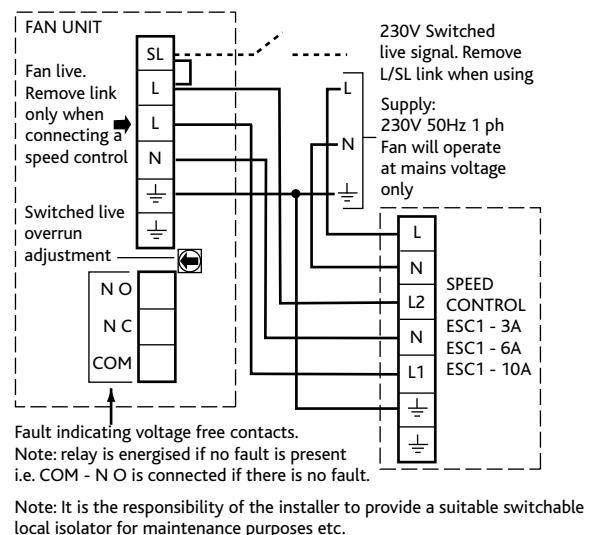
Fan code	Prefabricated Curb	Rectangular Flexible Connector	Electronic Speed Control
NALTRF1	NALPFC1	FXRC1	ESC1-3A
NALTRF2	NALPFC2	FXRC4	ESC1-3A
NALTRF3	NALPFC2	FXRC4	ESC1-3A
NALTRF4	NALPFC3	FXRC5	ESC1-3A
NALTRF5	NALPFC3	FXRC5	ESC1-3A
NALTRF6	NALPFC4	FXRC7	ESC1-6A
NALTRF7	NALPFC4	FXRC7	ESC1-6A
NALTRF8	NALPFC5	FXRC9	ESC1-10A

## Wiring - NALTRF Direct Drive Twin Fan units 9 - 15

### Basic fan wiring



### Fan connected to a speed control



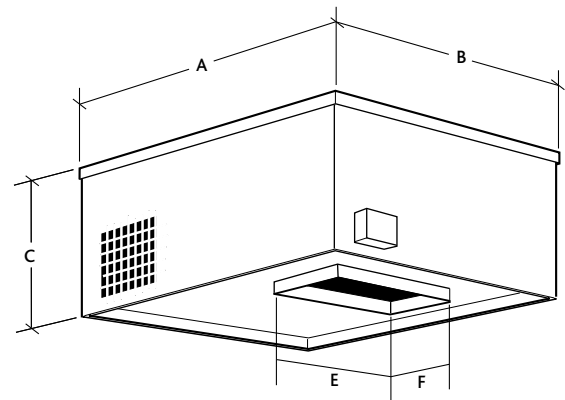
## TWIN FANS

### NALTRF DIRECT DRIVE

#### TECHNICAL INFORMATION

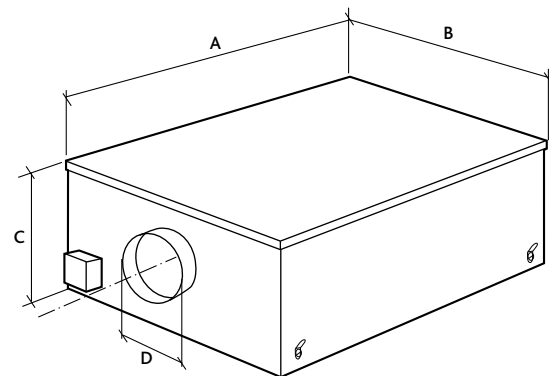
### Dimensions - NALTRF Direct Drive Twin Fans

DIMENSIONS (mm) & WEIGHTS						
Fan Code	A	B	C	E	F	Weight kg
NALTRF1	705	505	355	152	76	10
NALTRF2	875	720	400	229	127	18
NALTRF3	970	720	485	229	127	23
NALTRF4	1165	980	575	305	152	31
NALTRF5	1165	980	575	305	152	31
NALTRF6	1165	980 <td 575	457	229	57	
NALTRF7	1165	980	575	457	229	57
NALTRF8	1495	1125	710	762	304	162



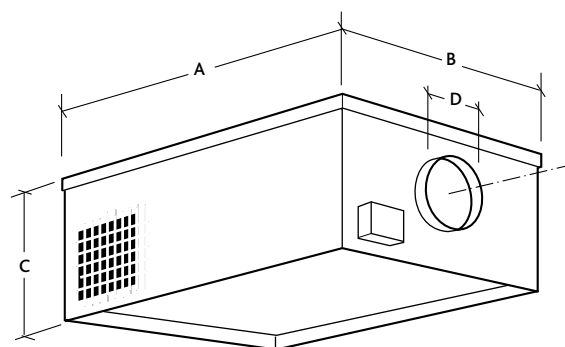
NALTRF Standard Direct Drive Twin Fans.

DIMENSIONS (mm) & WEIGHTS					
Fan Code	A	B	C	Circular Spigot D dia	Weight kg
NALTRF1-S2S	705	505	355	125	10
NALTRF2-S2S	875	720	400	200	18
NALTRF3-S2S	970	720	485	200	23
NALTRF4-S2S	1165	980	575	250	31
NALTRF5-S2S	1165	980	575	250	31
NALTRF6-S2S	1165	980	575	400	57
NALTRF7-S2S	1165	980	575	400	57
NALTRF8-S2S	1195	1174	575	500	162



NALTRF Spigot to Spigot Direct Drive Twin Fans.

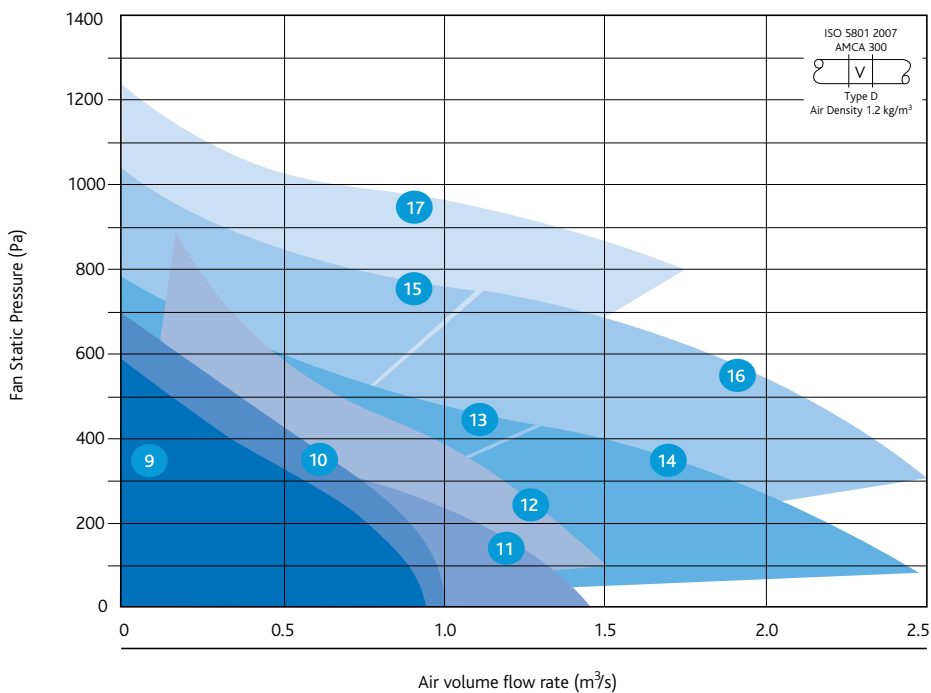
DIMENSIONS (mm) & WEIGHTS					
Fan Code	A	B	C	Circular Spigot D dia	Weight kg
NALTRF1-B2G	705	505	355	125	10
NALTRF2-B2G	875	720	400	200	18
NALTRF3-B2G	970	720	485	200	23
NALTRF4-B2G	1165	980	575	250	31
NALTRF5-B2G	1165	980	575	250	31
NALTRF6-B2G	1165	980	575	400	57
NALTRF7-B2G	1165	980	575	400	57
NALTRF8-B2G	1495	1125	710	500	162



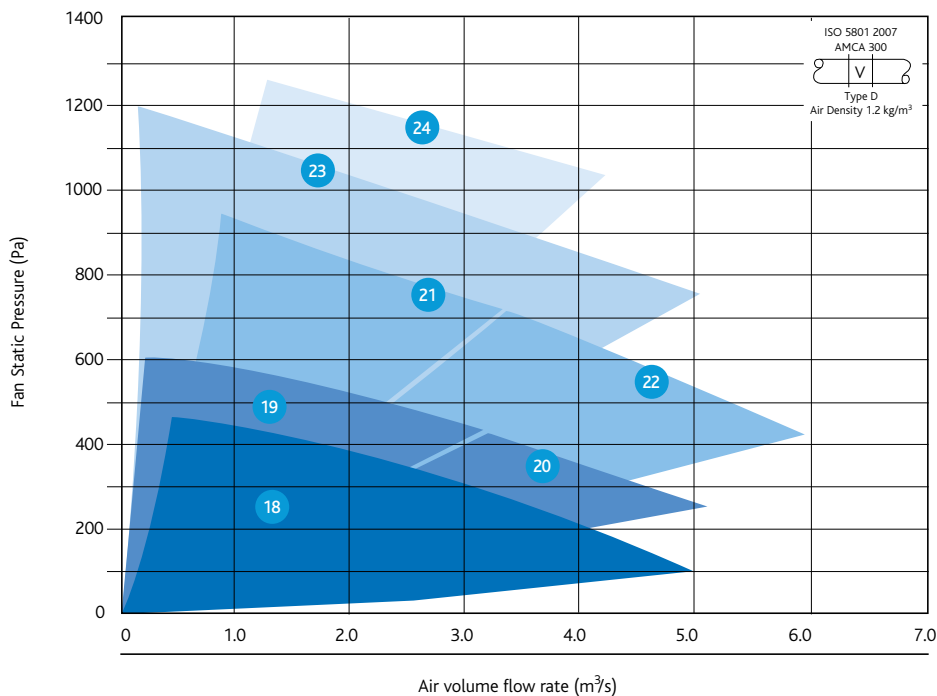
NALTRF Back to Grille Direct Drive Twin Fans.

## Performance - NALTRF Belt Drive Twin Fans

### NALTRF Belt Drive Units 9 - 17



### NALTRF Belt Drive Units 18 - 24



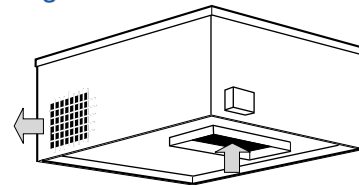
#### Code descriptions

#### NALTRF 9 - \*

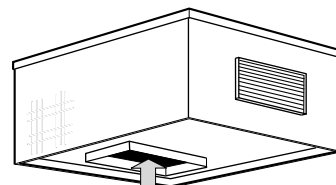


- 1 NALTF Twin Fan range
- 2 Case sizes 1 to 8
- 3 Inlet and discharge positions

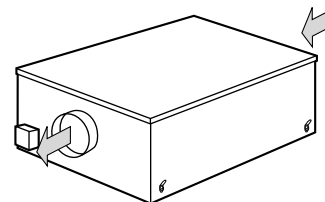
### Casing



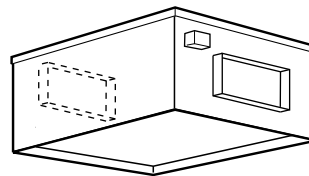
NALTRF Belt Drive sizes 9 - 17.



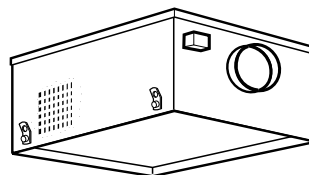
NALTRF Belt Drive sizes 18 - 24.



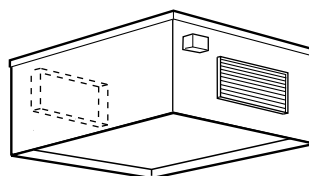
NALTRF Spigot to Spigot sizes 9 - 17.



NALTRF Spigot to Spigot sizes 18 - 24.



NALTRF Back to Grille sizes 9 - 17.



NALTRF Back to Grille sizes 18 - 24.

### NALTRF Belt Drive Twin Fans

ELECTRICAL, SOUND & WEIGHT														
Code/ Curve	Phase	RPM	Motor power (kW)	FLC (amps)	SC (amps)	Inlet/ Outlet	Induct inlet Sound Power levels (dB re 10-12W) Freq Hz							
							125	250	500	1K	2K	4K	8K	dBa@3M
NALTF9	3	1225	0.75	2.1	9.5	I	75	70	65	66	58	53	50	49
						O	73	74	73	76	64	61	56	60
NALTF10	3	1400	1.1	2.9	13	I	77	73	67	69	60	54	47	51
						O	79	80	77	79	68	64	58	63
NALTF11	3	1225	1.1	2.9	13	I	73	69	70	64	59	61	55	48
						O	77	76	77	73	66	66	61	58
NALTF12	3	1085	1.5	3.7	18.5	I	75	70	71	65	60	62	55	50
						O	80	79	80	76	69	69	64	59
NALTF13	3	1040	2.2	5.4	27	I	81	81	76	76	74	71	68	61
						O	89	84	78	87	83	80	77	73
NALTF14	3	1040	4	10	66	I	84	82	80	79	77	75	70	63
						O	91	83	90	88	85	84	78	74
NALTF15	3	1260	3	6.9	38	I	84	83	79	80	77	74	69	61
						O	88	81	88	85	83	79	76	72
NALTF16	1	1260	5.5	12	75	I	85	83	81	81	78	76	71	62
						O	89	82	89	86	83	82	78	73
NALTF17	3	1440	5.5	12	75	I	86	84	82	81	79	77	73	62
						O	87	84	88	87	81	80	76	73
NALTF18	3	700	5.5	12	75	I	86	84	84	73	70	63	63	63
						O	89	84	92	79	76	68	69	71
NALTF19	3	800	4	10	60	I	86	84	84	73	70	63	63	64
						O	89	84	92	79	76	68	69	72
NALTF20	3	800	11	23	154	I	91	89	89	78	75	68	68	67
						O	92	88	95	83	79	72	73	75
NALTF21	3	1000	5.5	12	75	I	90	87	87	76	75	68	69	66
						O	92	88	95	83	79	72	73	75
NALTF22	3	1000	11	23	154	I	93	91	91	80	77	70	70	69
						O	95	90	97	85	82	74	75	77
NALTF23	3	1100	11	23	154	I	92	90	90	79	76	69	69	70
						O	95	90	98	85	82	74	75	77
NALTF24	3	1200	11	23	154	I	93	90	90	79	78	71	72	69
						O	94	89	83	84	82	74	76	77

### Quick Selection Guide

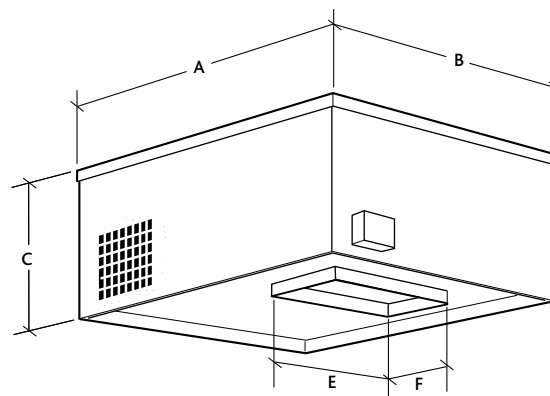
NALTRF BELT DRIVE TWIN FANS			
Fan code	Prefabricated Curb	Rectangular Flexible Connector	Electronic Speed Control
NALTRF9	NALPFC4B	FXRC7	-
NALTRF10	NALPFC4B	FXRC7	-
NALTRF11	NALPFC5B	FXRC9	-
NALTRF12	NALPFC5B	FXRC9	-
NALTRF13	NALPFC6B	FXRC10	-
NALTRF14	NALPFC6B	FXRC10	-
NALTRF15	NALPFC6B	FXRC10	-
NALTRF16	NALPFC6B	FXRC10	-
NALTRF17	NALPFC6B	FXRC10	-
NALTRF18	-	FXRC11	-
NALTRF19	-	FXRC11	-
NALTRF20	-	FXRC11	-
NALTRF21	-	FXRC11	-
NALTRF22	-	FXRC11	-
NALTRF23	-	FXRC11	-
NALTRF24	-	FXRC11	-

### Dimensions NALTRF Standard Belt Drive Twin Fans

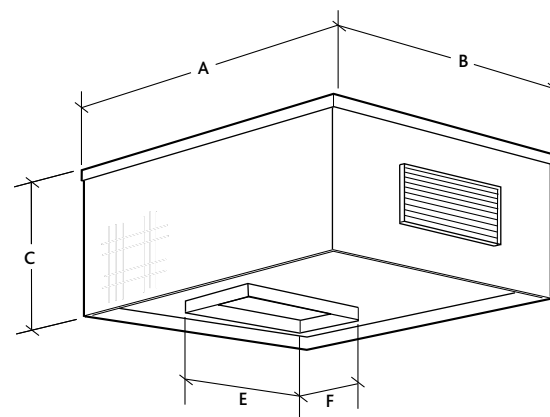
DIMENSIONS (mm) & WEIGHTS							
Fan Code	A	B	C	D	E	F	Weight kg
NALTRF9	974	974	622	-	457	229	91
NALTRF10	974	974	622	-	457	229	125
NALTRF11	1233	1233	701	-	762	304	169
NALTRF12	1233	1233	701	-	762	304	134
NALTRF13	1430	1635	796	-	889	381	194
NALTRF14	1430	1635	796	-	889	381	175
NALTRF15	1430	1635	796	-	889	381	232
NALTRF16	1430	1635	796	-	889	381	232
NALTRF17	1430	1635	796	-	889	381	232
NALTRF18	2020	2300	1180	-	1200	700	716
NALTRF19	2020	2300	1180	-	1200	700	794
NALTRF20	2020	2300	1180	-	1200	700	850
NALTRF21	2020	2300	1180	-	1200	700	794
NALTRF22	2020	2300	1180	-	1200	700	850
NALTRF23	2020	2300	1180	-	1200	700	850
NALTRF24	2020	2300	1180	-	1200	700	850

### Dimensions NALTRF Spigot to Spigot Belt Drive Twin Fans

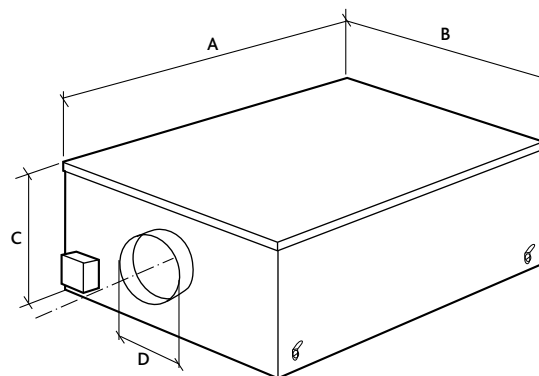
DIMENSIONS (mm) & WEIGHTS							
Fan Code	A	B	C	D	E	F	Weight kg
NALTRF9	974	974	622	400	-	-	91
NALTRF10	974	974	622	400	-	-	125
NALTRF11	1233	1233	701	500	-	-	169
NALTRF12	1233	1233	701	500	-	-	134
NALTRF13	1430	1635	796	630	-	-	194
NALTRF14	1430	1635	796	630	-	-	175
NALTRF15	1430	1635	796	630	-	-	232
NALTRF16	1430	1635	796	630	-	-	232
NALTRF17	1430	1635	796	630	-	-	232
NALTRF18	2020	2300	1180	-	1200	700	716
NALTRF19	2020	2300	1180	-	1200	700	794
NALTRF20	2020	2300	1180	-	1200	700	850
NALTRF21	2020	2300	1180	-	1200	700	794
NALTRF22	2020	2300	1180	-	1200	700	850
NALTRF23	2020	2300	1180	-	1200	700	850
NALTRF24	2020	2300	1180	-	1200	700	850



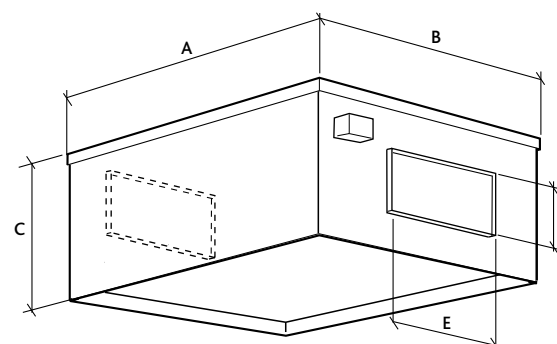
NALTRF Standard Belt Drive sizes 9 - 17.



NALTRF Standard Belt Drive sizes 18 - 24.



NALTRF Belt Drive Spigot to Spigot sizes 9 - 17.



NALTRF Belt Drive Spigot to Spigot sizes 18 - 24.

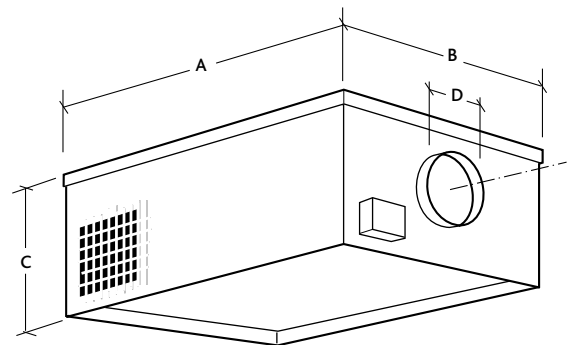
## TWIN FANS

### NALTRF BELT DRIVE

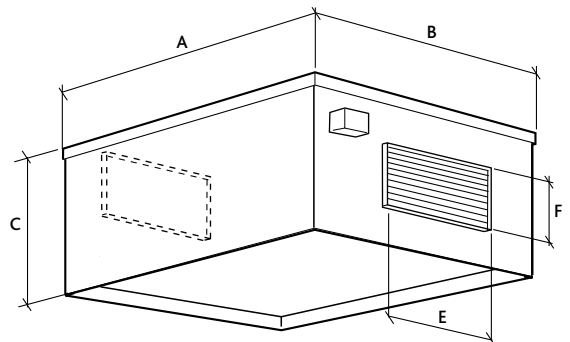
#### TECHNICAL INFORMATION

## Dimensions NALTRF Back to Grille Belt Drive Twin Fans

DIMENSIONS (mm) & WEIGHTS							
Fan Code	A	B	C	D	E	F	Weight kg
NALTRF9	974	974	622	400	-	-	91
NALTRF10	974	974	622	400	-	-	125
NALTRF11	1233	1233	701	500	-	-	169
NALTRF12	1233	1233	701	500	-	-	134
NALTRF13	1430	1635	796	630	-	-	194
NALTRF14	1430	1635	796	630	-	-	175
NALTRF15	1430	1635	796	630	-	-	232
NALTRF16	1430	1635	796	630	-	-	232
NALTRF17	1430	1635	796	630	-	-	232
NALTRF18	2020	2300	1180	-	1200	700	716
NALTRF19	2020	2300	1180	-	1200	700	794
NALTRF20	2020	2300	1180	-	1200	700	850
NALTRF21	2020	2300	1180	-	1200	700	794
NALTRF22	2020	2300	1180	-	1200	700	850
NALTRF23	2020	2300	1180	-	1200	700	850
NALTRF24	2020	2300	1180	-	1200	700	850

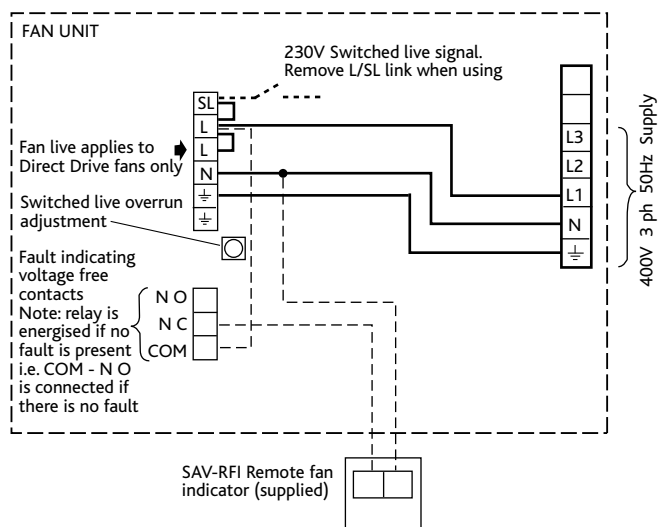


NALTRF Belt Drive Back to Grille sizes 9 - 17.



NALTRF Belt Drive Back to Grille sizes 18 - 24.

## Wiring - NALTRF Belt Drive Twin Fan units 9 - 15



## NALTF & NALTRF DIRECT & BELT DRIVE TWINFANS

### Consultants Specification

#### Fan control description

The acoustically lined low noise Twinfan shall be controlled by an integrated control panel mounted within the fan unit.

- Auto-change over on fan failure.
- Auto duty share every 12 hours of run time.
- Maximum and minimum speed adjustment/setting (trickle and boost).
- Volt free failure indication.
- 0-10V BMS interface for remote operation.
- Low voltage interface with second fan or supply fan.
- Multiple low voltage sockets for interconnection of sensors or fans.
- Background ventilation/trickle enable switch.

All as manufactured by Nuair Ltd.

#### Installation –

By the appointed contractor.

Mechanical installation requires mounting of the extract unit in the designated position and connection to the associated duct work.

Electrical installation requires the provision and connection of single or three phase electrical supply at the fan.

The user control and low voltage sensor are supplied complete with a 10m length of low voltage, pre-plugged cable.

#### Commissioning -

By the appointed commissioning engineer.

The systems should be commissioned in the normal way and the minimum and maximum speed adjustment with the Ecosmart control panel should be set to provide the required ventilation rates. These should be adjusted until the required air volume flow rate is achieved on the approved measuring device.

The manufacturer's recommendations should be observed at all times.